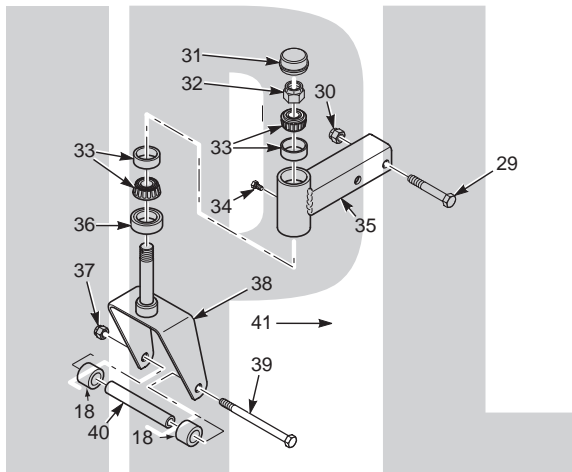


SCAG[®]

POWER EQUIPMENT



ILLUSTRATED PARTS MANUAL



Model STT-Diesel Turf Tiger

THIS MANUAL CONTAINS THE ILLUSTRATED PARTS LIST FOR MODELS:

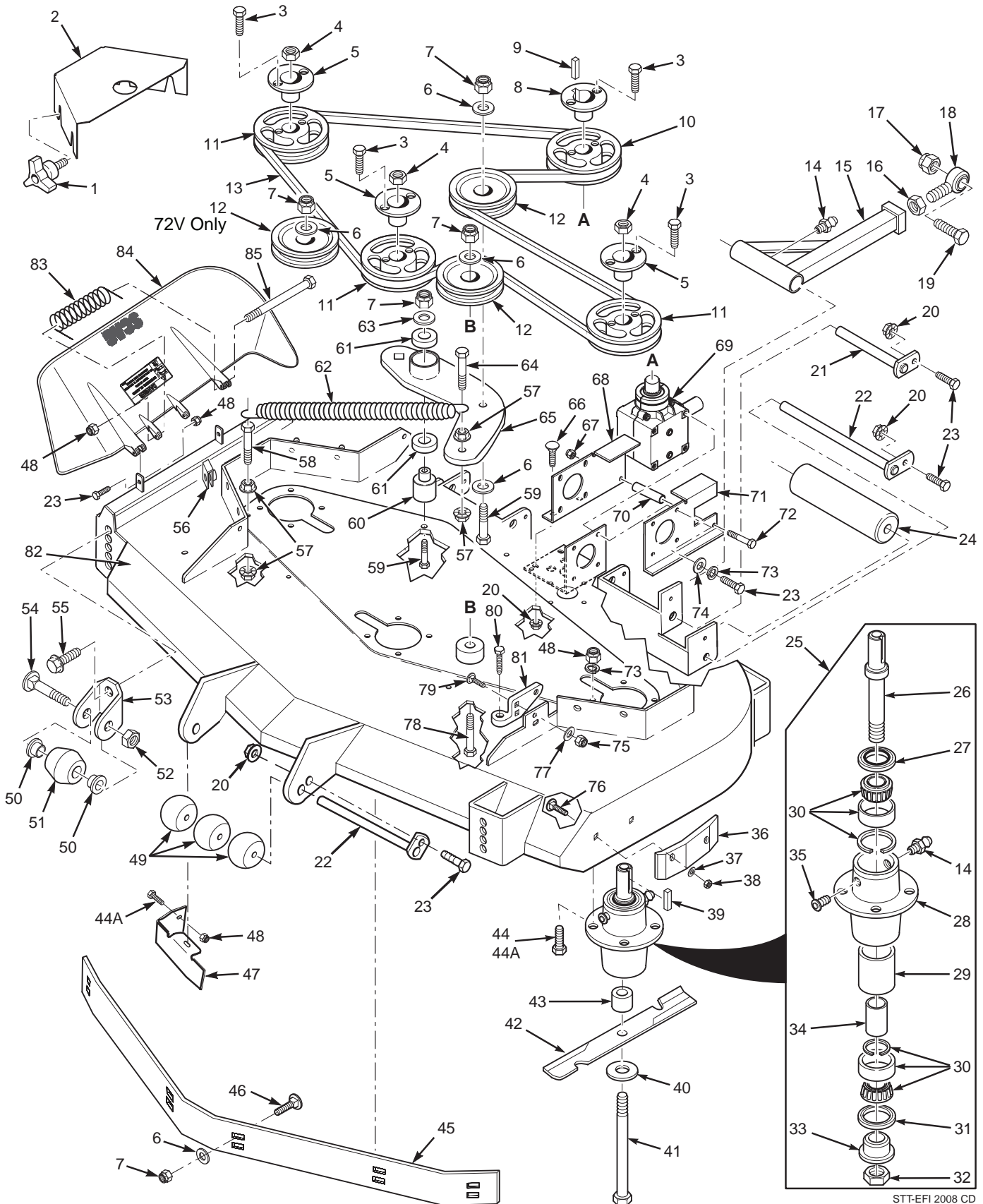
STT61V-28CAT-SS
STT61V-25KBD-SS
STT-28CAT-SS
SMT-72V

with a serial number of **E2000001 to E2099999**
with a serial number of **E3800001 to E3899999**
with a serial number of **E2100001 to E2199999**
with a serial number of **E2300001 to E2399999**

Table of Contents

61V & 72V CUTTER DECK.....	2
CUTTER DECK CONTROLS	4
SHEET METAL COMPONENTS	6
SSTT ROLL-OVER PROTECTION SYSTEM - WITH SUSPENSION SEAT	8
DECK DRIVE COMPONENTS	10
ENGINE & ATTACHING PARTS - CAT DIESEL	12
RADIATOR & ATTACHING PARTS - CAT DIESEL.....	14
ENGINE & ATTACHING PARTS - KUBOTA DIESEL	16
BRAKE AND STEERING COMPONENTS	18
FUEL AND HYDRAULIC SYSTEM - CAT DIESEL.....	20
FUEL AND HYDRAULIC SYSTEM - KUBOTA DIESEL	22
BDP-16A HYDRAULIC PUMP ASSEMBLY WITH COOLING FAN.....	24
ELECTRICAL SYSTEM - CAT DIESEL	26
ELECTRICAL SYSTEM - KUBOTA DIESEL	28
REPLACEMENT DECALS AND INFORMATION PLATES	30
ELECTRICAL SCHEMATIC - CAT DIESEL	32
ELECTRICAL SCHEMATIC - KUBOTA DIESEL	33

61V & 72V Cutter Deck

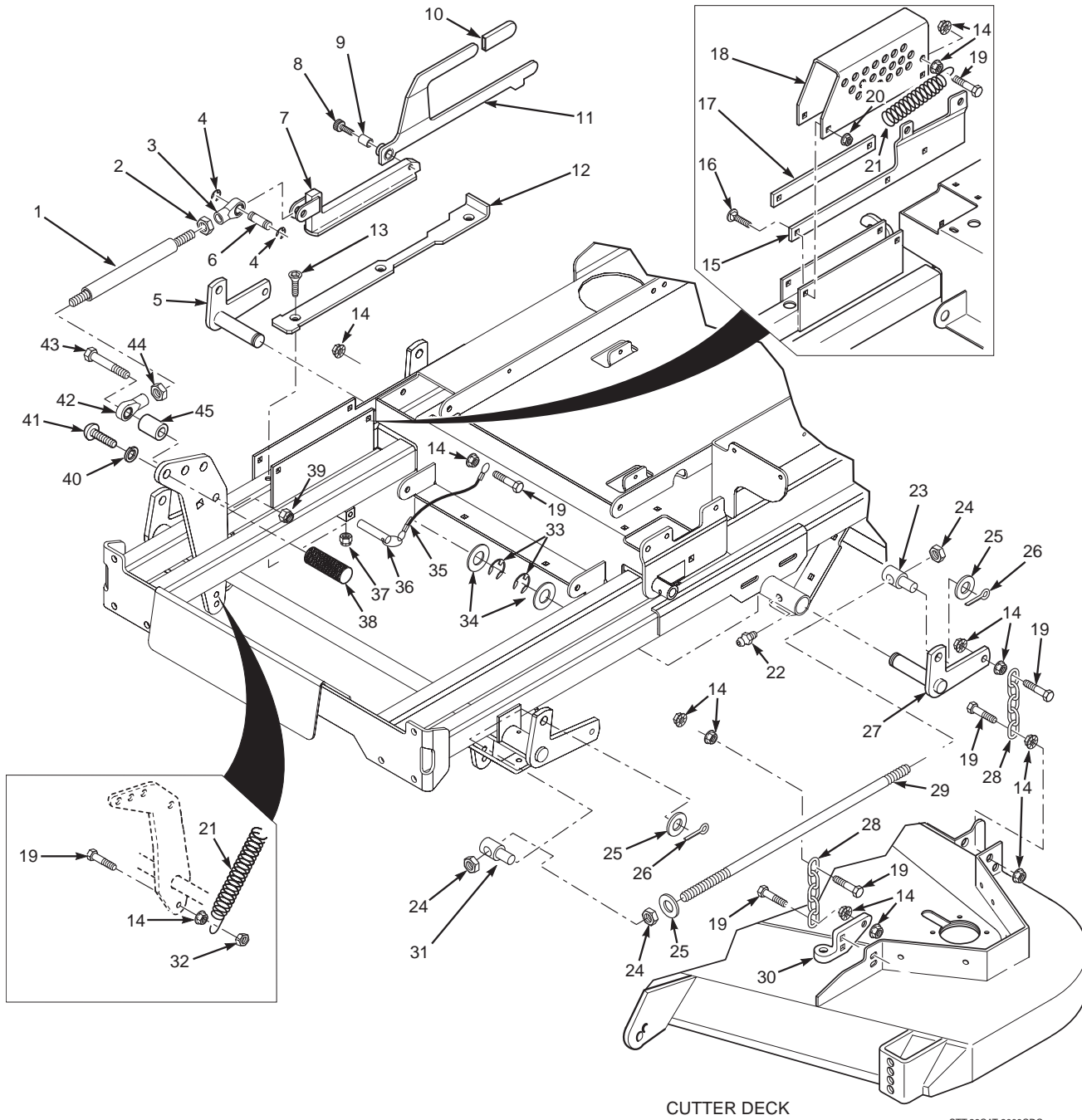


STT-EFI 2008 CD

61V & 72V Cutter Deck

Ref. No.	Part No.	Description	61	72	Ref. No.	Part No.	Description	61	72
1	481625-01	Wing Nut, 3/8-16	X	X	45	424841	Baffle, Custom Cut 61V	X	
2	424325	Belt Cover	X		424917	Baffle, Custom Cut 72V			X
	422708	Belt Cover RH		X	46	04003-23	Bolt, Carriage 3/8-16 x 1"	X	X
	422677	Belt Cover LH		X	47	424209	Discharge Baffle 61V	X	X
3	04001-172	Bolt, Hex Head 1/4-20 x 1" Grd 8	X	X	424856	Discharge Baffle 72V	X	X	
4	04020-09	Nut, 5/8-11 UNC	X	X	48	04021-22	Nut, Hex Elastic Stop 5/16-18 Grd 8	X	X
5	48926	Tapered Hub, 1-1/8" Bore	X	X	49	482295	Wheel, Anti-Scalp	X	X
6	04041-07	Flatwasher, 3/8" (.391 x .938 x .105)	X	X	50	48100-15	Bushing, .376 I.D. Oilite	X	X
7	04021-09	Nut, Hex Elastic Stop 3/8-16	X	X	51	481632	Anti-Scalp Wheel	X	X
8	48141	Tapered Hub, 1" Bore	X	X	52	04021-05	Locknut, 3/8-16 Center Lock	X	X
9	04063-0	Key, 1/4 x 1/4 x 1-1/4"	X	X	53	422478	Anti-Scalp Wheel Bracket	X	X
10	482746	Pulley, 6.75 O.D.	X		54	04003-26	Bolt, Carriage 3/8-16 x 4"	X	X
	482747	Pulley, 6.95 O.D.		X	55	04017-27	Bolt, Hex Serrated Flange 3/8-16 x 1"		X
11	482744	Pulley, 5.75 O.D. - CAT	X		56	04110-03	U-Nut, 3/8-16	X	X
	482745	Pullwy, 6.35 O.D. - Kubota	X		57	04019-04	Nut, Hex Serrated Flange 3/8-16	X	X
	482746	Pulley, 6.75 O.D.		X	58	04001-20	Bolt, Hex Head 3/8-16 x 1-1/2"		X
12	483215	Pulley, Idler	X	X	59	04001-54	Bolt, Hex Head 3/8-16 x 3"	X	X
13	483741	Belt, Cutter Deck Drive - Cat	X		60	43681	Pivot, Idler - Short	X	X
	481558	Belt, Cutter Deck Drive - Kubota	X		61	48224	Bearings, Ball	X	X
	481980	Belt, Cutter Deck Drive		X	62	483704	Spring, Cutter Deck	X	X
14	48114-04	Grease Fitting	X	X	63	04043-04	Flatwasher, 3/8-.39 x .938 x .105 HD	X	X
15	461516	Pusharm (incl. items 14, 16, & 18)	X	X	64	04001-136	Bolt, Hex Head 3/8-16 x 1-1/2" Grd 8	X	X
16	04020-16	Nut, Hex Head 5/8-18 UNF	X	X	65	461842	Idler Arm, Cutter Deck	X	X
17	04021-13	Nut, Hex Elastic Stop 5/8-11	X	X	66	04003-12	Bolt, Carriage 5/16-18 x 3/4"	X	X
18	48763	Rod End, 5/8" Male RH Thread	X	X	67	04021-10	Nut, Elastic Stop 5/16-18	X	X
19	04001-79	Bolt, Hex Head 5/8-11 x 4-1/2"	X	X	68	424798	Mounting Plate, RH Gearbox	X	X
20	04019-03	Nut, Hex Serrated Flange 5/16-18	X	X	69	482486	Gearbox Assembly, Deck Drive	X	X
21	451240	Push Arm Shaft	X	X	70	43763	Spacer, Gearbox Mount	X	X
22	45944	Roller Shaft	X	X	71	424799	Mounting Plate, LH Gearbox	X	X
23	04001-12	Bolt, Hex Head 5/16-18 x 1-3/4"	X	X	72	04001-154	Bolt, Hex Head 5/16-18 x 4-3/4"	X	X
24	48038	Wheel, Anti-Scalp	X	X	73	04030-03	Lockwasher, 5/16"	X	X
25	461663	Spindle Assembly	X	X	74	04040-15	Flatwasher, 5/16" (.375 x .875 x .083)	X	X
26	43589	Spindle Shaft	X	X	75	04021-11	Nut, Elastic Stop 7/16-14	X	X
27	481024	Seal, Top	X	X	76	04003-12	Bolt, Carriage 5/16-18 x 3/4"	X	X
28	43644	Spindle Housing	X	X	77	04040-11	Flatwasher, 7/16-.500 x 1.25 x .083	X	X
29	43312	Spacer, Outside	X	X	78	04001-62	Bolt, Hex Head 3/8-16 x 3-1/4"	X	X
30	481022	Bearing Assembly	X	X	79	04003-40	Bolt, Carriage 7/16-14 x 1-1/4"	X	X
31	481025	Seal, Bottom	X	X	80	483167	Bolt, Deck Adjust	X	X
32	481035	Nut, Special 1-1/16-18	X	X	81	461929	Lever Assy, Deck Level (Incl. 80)	X	X
33	43297	Spindle Bushing, Bottom	X	X	82	462143	Cutter Deck 61 V w/Decals	X	
34	43296	Spacer, Inside	X	X	462144	Cutter Deck 72 V w/Decals		X	
35	48677	Relief Fitting, Tapered Spindle	X	X	83	483378	Spring, Discharge Chute	X	X
36	483176	Wear Pad	X		84	461846	Discharge Chute 61V	X	
	483174	Wear Pad		X	462132	Discharge Chute 72V		X	
37	04040-04	Flatwasher, 5/16"	X	X	85	04001-108	Bolt, Hex Head 5/16-18 x 4-1/2"	X	X
38	04021-04	Nut, Center Lock 5/16-18	X	X					
39	04063-08	Key, 1/4 x 1/4 x 2"	X	X					
40	04043-06	Flatwasher, 5/8" Hardened	X	X					
41	04001-41	Bolt, Hex Head 5/8-11 x 9-1/2"	X	X					
42	482879	Cutter Blade, 21"	X						
	482882	Cutter Blade, 24.5"		X					
43	43590	Spacer, Spindle Bottom	X	X					
44	04001-176	Bolt, Hex Head 5/16-18 x							

CUTTER DECK CONTROLS



STT-28CAT 2008CDC

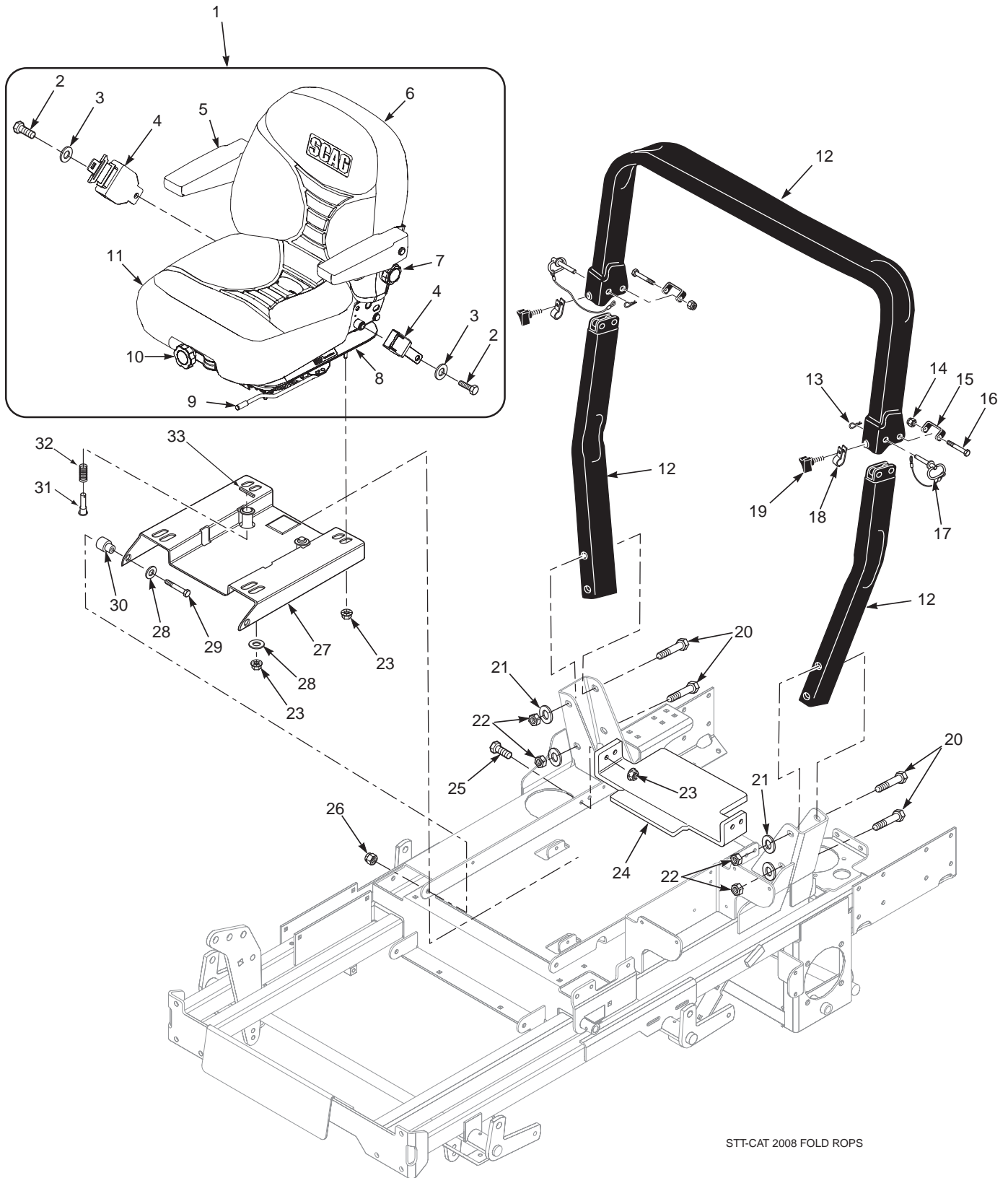
CUTTER DECK CONTROLS

Ref. No.	Part No.	Description
1	481764	Link, Deck Lift
2	04020-28	Nut, Jam 1/2-20 LH
3	481766	Rod End, Female - 1/2-20 LH
4	04050-10	Ring, Retaining 1/2" External "E"
5	45905	Bellcrank Weldment, RH Rear
6	43487	Pin, Decklift
7	482429	Slide Weldment, Height Adjustment
8	04009-02	Bolt, Shoulder 1/2 x 3/4"
9	48100-14	Bushing, .502 ID.
10	481428	Grip, Deck Latch
11	462102	Deck Latch (Includes items 9 & 10)
12	424857	Lockplate, Decklift
13	04014-03	Screw, Cap 5/16-18 x 3" FHHS
14	04019-04	Nut, Hex Serrated Flange 3/8-16
15	423509	Guide, Long
16	04003-04	Bolt, Carriage 5/16-18 x 1"
17	422381	Guide, Short
18	423463	Bracket, Cutting Height Adjustment
19	04001-20	Bolt, Hex Head 3/8-16 x 1-1/2"
20	04019 -03	Nut, Hex Serrated Flange 5/16-18
21	481598	Spring, Helper (61" & 72" Cutter Decks Only)
22	48114-04	Grease Fitting
23	43526	Swivel Joint, LH
24	04020-09	Nut, Hex 5/8-11
25	04040-09	Flatwasher, 5/8" (.656 x 1.312 x .095)
26	04061-07	Cotter Pin, 3/16 x 1"
27	45904	Bellcrank Weldment, LH Rear
28	48540	Chain
29	04004-48	Stud, 5/8-11 x 26.0"
30	461929	Lever Assembly, Deck Level
31	43527	Swivel Joint, RH
32	04021-05	Locknut, 3/8-16 Center Lock
33	04050-08	Ring, Retaining 1" External "E"
34	04041-14	Flatwasher, 1" (1.062 x 1.50 x .048)
35	481547	Lanyard, Deck Height Pin
36	04067-09	Ring Pin, 1/2 x 3.06"
37	04021-09	Nut, 3/8-16 Elastic Stop
38	424504	Foot Pedal, Height Adjustment
39	04021-07	Nut, Hex Elastic Stop 1/2-13
40	04030-07	Lockwasher, 5/8"
41	04105-01	Capscrew, 5/8-11 x 1-1/2"
42	481765	Rod End, Female - 1/2-20 RH
43	04001-74	Bolt, Hex Head 1/2-13 x 3"
44	04020-27	Nut, Jam 1/2-20 RH
45	43391	Spacer, Decklift Pedal

SHEET METAL COMPONENTS

Ref. No.	Part No.	Description
1	04014-06	Bolt, Hex Head 1/2-13 x 3.5"
2	41020	Weight
3	04019-06	Nut, Hex Elastic Stop 1/2-13
4	481284	Bumper, Rubber 5/16-18 x 5/8"
5	462145	Main Frame Assembly w/Decals
6	424847	Foot Plate
7	04001-19	Bolt, Hex Head 3/8-16 x 1"
8	04041-07	Flatwasher, 3/8-.391 x .938 x .105
9	04019-03	Nut, Hex Serrated Flange 5/16-18
10	04001-45	Bolt, Hex Head 3/8-16 x 2.0"
11	04021-09	Nut, Elastic Stop 3/8-16
12	43606	Spacer Bushing
13	462147	Seat Plate Weldment w/Decal
14	451481	Fender Weldment, RH
15	04003-01	Bolt, Carriage 1/4-20 x 6"
16	*	Battery (not avail. through Scag)
17	422682	Cover, Battery
18	04003-12	Bolt, Carriage 5/16-18 x 3/4"
19	462007	Plate, Battery Box
20	48661	Rubber Pad
21	04029-01	Wing Nut, 1/4-20 x 3/4"
22	04021-09	Nut, Elastic Stop 3/8-16
23	424488	Battery Box Mount
24	04001-19	Bolt, Hex Head 3/8-16 x 1"
25	04019-04	Nut, Hex Serrated Flange 3/8-16
26	04017-27	Screw, Hex Serrated Flange 3/8-16 x 1"
27	451480	Fender Weldment, LH
28	04021-09	Nut, Hex Elastic Stop 3/8-16
29	04021-11	Nut, Elastic Stop 7/16-14
30	04030-05	Lockwasher, 7/16"
31	04001-28	Bolt, Hex Head 7/16-14 x 1-1/4"
32	451992	Extention Weldment, Caster (Use with 61" Deck)
	451993	Extention Weldment, Caster (Use with 72" Deck)
33	481559	Cap, Grease
34	04021-20	Nut, Hex Elastic Stop 1.0"-14
35	481657	Bearing W/Race
36	481025	Seal, 2.00" OD. x 1.625" Bore
37	04021-07	Nut, Hex Elastic Stop 1/2-13
38	43584	Spacer, Caster Wheel
39	43583	Sleeve, Caster Wheel (61V)
40	04001-167	Bolt, Hex Head 1/2-13 x 9-1/2" (61V)
41	451416	Yoke Weldment, Caster (61V)
42	482028-01	Plug, 1/4-28 THD Form
43	92785	Wheel Assembly, (Inc. 44, 45, & 46)
44	482622	Seal
45	482621	Bearing w/ Race
46	48114-10	Grease Fitting

STT ROLL-OVER PROTECTION SYSTEM - with SUSPENSION SEAT

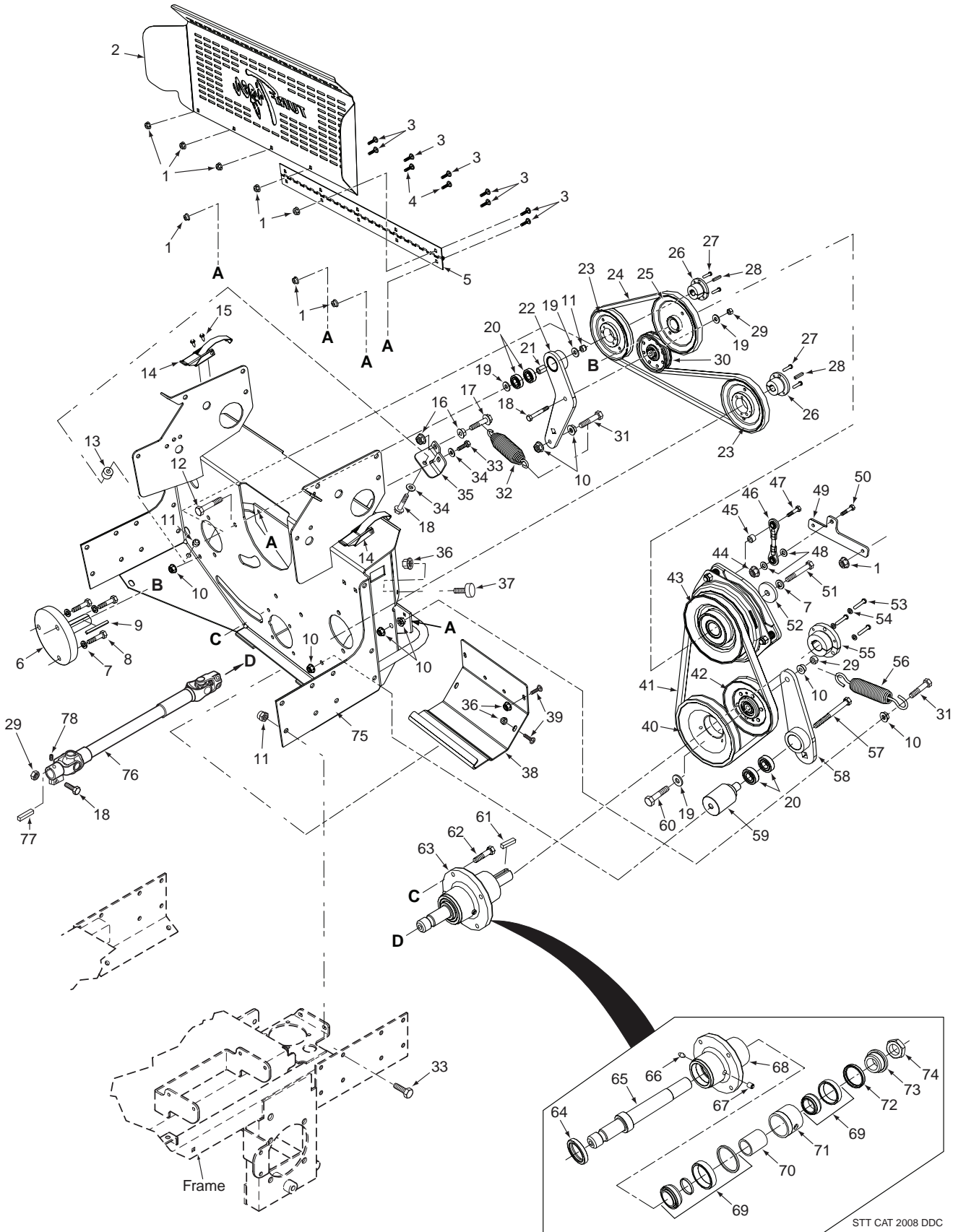


STT-CAT 2008 FOLD ROPS

STT ROLL-OVER PROTECTION SYSTEM - with SUSPENSION SEAT

Ref. No.	Part No.	Description
1	9292	Suspension Seat Assembly w/seat belt
2	04001-178	Bolt, Hex Head 7/16-20 x 1"
3	04040-11	Flatwasher, 7/16-.500 x 1.25 x .083
4	483594	Retractable Seat Belt
5	482950	Armrest Only
	482945	Armrest Assembly Kit, LH
	482946	Armrest Assembly Kit, RH
6	482940	Back Cushion Kit
7	482943	Lumbar Kit
	482948	Knob Kit
8	482942	Shock Absorber Kit
9	482952	Seat Adjustment, Track Set
10	482944	Weight Adjustment Kit
	482948	Knob Kit
11	482941	Seat Cushion Kit
		Seat Drain Kit (Included with Seat Cushion)
12	9514	STT, ROPS Accessory (incl. items 13 thru 22)
13	04062-06	Hair Pin, Cotter
14	04021-19	Nut, Center Lock 1/2-13
15	424407	Bracket, Stop
16	04001-145	Bolt, Hex Head 1/2-13 x 3-1/2"
17	483262	Pin
18	483265	Clamp
19	481625-03	Thumb Screw, 5/16-18 NC x 3/4"
20	04001-82	Bolt, Hex Head 1/2-13 x 4-1/2"
21	04040-13	Flatwasher, 1/2-.562 x 1.375 x .109
22	04021-19	Nut, Center Lock 1/2-13
23	04019-03	Nut, Serrated Flange 5/16-18
24	461968	Bracket, Seat Hold Down with Decal
25	04001-09	Bolt, Hex Head 5/16-18 x 1"
26	04021-09	Nut, Elastic Stop 3/8-16
27	462147	Seat Plate Weldment w/Decal
28	04041-07	Flatwasher, 3/8-.391 x .938 x .105
29	04001-45	Bolt, Hex Head 3/8-16 x 2"
30	43606	Spacer Bushing
31	43477	Pin Retainer, Spring
32	481389	Spring, Seat
33	04060-01	Roll Pin, Spring 5/32 x 3/4"

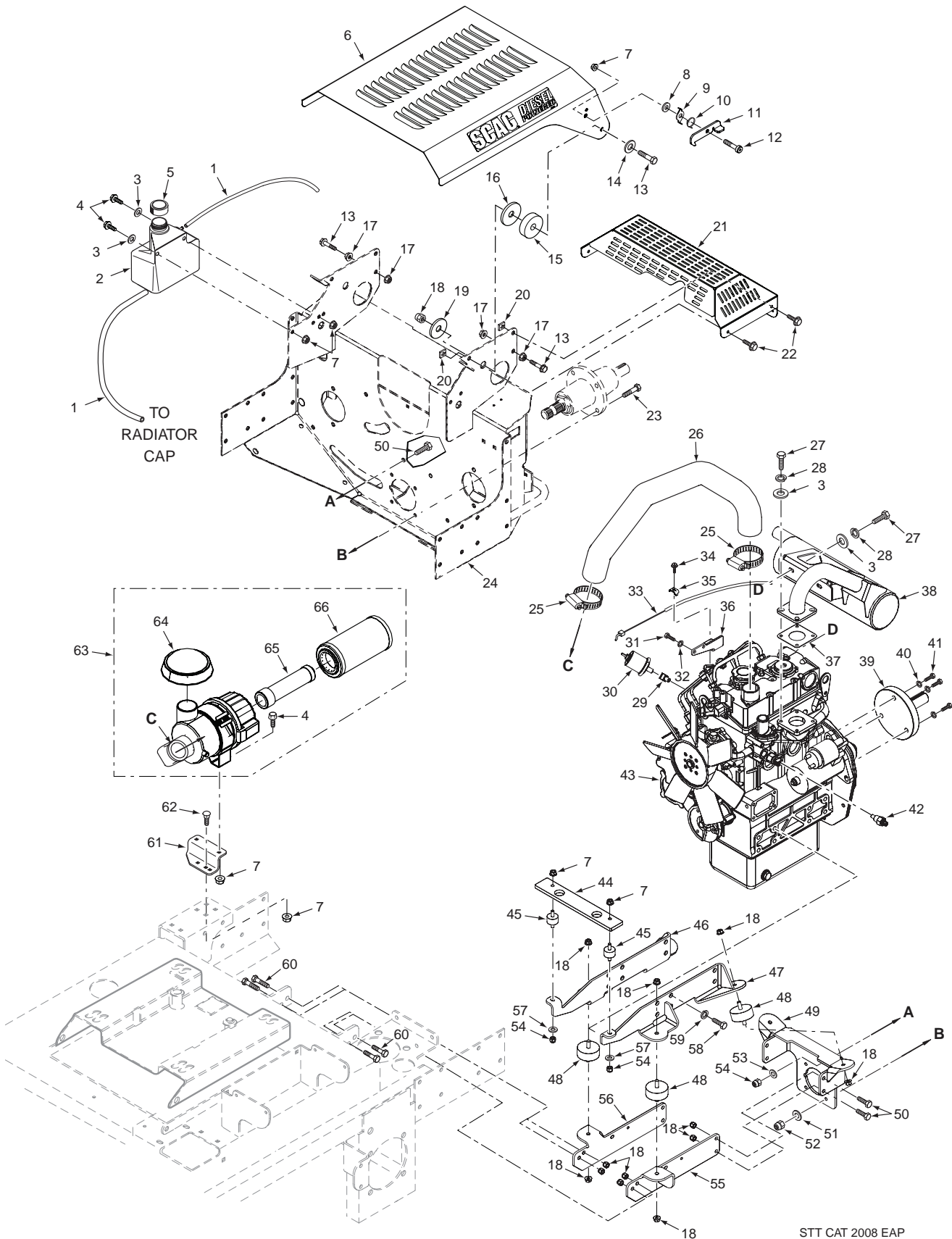
DECK DRIVE COMPONENTS



DECK DRIVE COMPONENTS

Ref. No.	Part No.	Description	Ref. No.	Part No.	Description
1	04019-02	Nut, Serrated Flange 1/4-20	46	482433	Rod Assembly, Clutch Anti-Rotation
2	423925	Belt Guard, Rear	47	04001-11	Bolt, Hex Head 5/16-18 x 1-1/2"
3	04003-07	Bolt, Carriage 1/4-20 x 1/2"	48	04040-04	Flatwasher, 5/16"
4	04003-02	Bolt, Carriage 1/4-20 x 3/4"	49	423465	Bracket, Anchor, Anti-Rotation
5	481531	Hinge, Belt Guard	50	04001-10	Bolt, Hex Head 5/16-18 x 1-1/4"
6	43772	Stub Shaft, (Cat)	51	04102-03	Bolt, Hex Head 7/16-20 x 2-1/4"
	482334	Stub Shaft, (Kubota)	52	04041-28	Flatwasher, 7/16-.469 x 1.75 x .25
7	04030-05	Lockwasher, 7/16" Spring	53	04001-109	Bolt, Hex Head 1/4-20 x 1-3/8"
8	04002-26	Bolt, Hex Head M10 x 1.5 x 35	54	04030-02	Lockwasher, 1/4" Spring
9	04063-23	Key, 1/4 x 1/4 x 3-1/4"	55	481536	Tapered Hub, 1" Bore
10	04019-04	Nut, Serrated Flange 3/8-16	56	483430	Spring, PTO
11	04021-09	Nut, Elastic Stop 3/8-16	57	04001-171	Bolt, Hex Head 3/8-16 x 4-1/2" Grd 8
12	04001-135	Bolt, Hex Head 3/8-16 x 1-3/4" Grd 8	58	461609	Idler Arm Weldment, PTO Drive
13	43286	Spacer	59	43632	Pivot, Idler PTO
14	481309	Latch, Hood	60	04001-170	Bolt, Hex Head 3/8-16 x 2-1/2" Grd 8
15	04011-11	Screw, #10-32 x .56	61	04063-06	Key, 1/4 x 1/4 x 1-1/2"
16	04019-06	Nut, Serrated Flange 1/2-13	62	04001-176	Bolt, Hex Head 5/16-18 x 1-3/4" Grd 8
17	04001-185	Bolt, Hex Head 1/2-13 x 2" Grd 8	63	461665	Spindle Assembly, Deck Drive
18	04001-21	Bolt, Hex Head 3/8-16 x 1-3/4"	64	481024	Seal, 2.0 OD x 1.5 Bore
19	04043-04	Washer, 3/8" Hardened	65	43534	Shaft, Deck Drive
20	48224	Ball Bearing	66	48114-04	Grease Fitting, 1/4-28
21	43631	Spacer, Idler Bearing	67	48677	Relief Fitting
22	461608	Idler Arm Weldment, Pump Drive	68	43644	Spindle Housing
23	482744	Pulley, 5.75" O.D. - CAT	69	481022	Roller Bearing Tapered
	482745	Pulley, 6.35" O.D. - Kubota	70	43296	Spacer, Inside
24	483735	Belt, Pump Drive - CAT	71	43312	Spacer, Outside
	483678	Belt, Pump Drive - Kubota	72	481025	Seal, 2.0 OD x 1.625 Bore
25	483732	Pulley, 6.35 Dia. - 1.125 Bore - CAT	73	43297	Spindle Bushing, Bottom
	483855	Pulley, 5.98 Dia. - 1.125 Bore - Kubota	74	481035	Nut, 1.06-18 Thread
26	481884	Tapered Hub, 17mm Bore	75	452005	Pump Mounting Plate Weldment (Cat Engine)
27	04001-172	Bolt, Hex Head 1/4-20 x 1" Grd 8			Driveshaft (Cat Engine)
28	04063-27	Key, 5 x 5 x 35 mm	76	482438	Key, 1/4 x 1/4 x 1"
29	04021-05	Nut, Center Lock 3/8-16	77	04063-20	Set Screw, 3/8-16 x 3/4" Torx Socket
30	483214	Pulley, Idler 4" Dia.	78	04012-08	
31	04001-136	Bolt, Hex Head 3/8-16 x 1-1/2" Grd 8			
32	483088	Spring, Transmission Idler			
33	04001-19	Bolt, Hex Head 3/8-16 x 1"			
34	04041-07	Flatwasher, 3/8-.391 x .938 x .105			
35	424764	Bracket			
36	04019-03	Nut, Serrated Flange 5/16-18			
37	481284	Bumper, Rubber			
38	424691	Cover, Rear			
39	04003-12	Bolt, Carriage 5/16-18 x 3/4"			
40	481398	Pulley, 6.35 Tapered Bore			
41	481460	Belt, Deck Drive			
42	48181	Pulley, Idler 5" Dia.			
43	462011	Clutch, Ogura GT 3.5 - 1.125 Bore			
44	04021-10	Nut, Hex Elastic Stop 5/16-18			
45	43587	Spacer			

ENGINE & ATTACHING PARTS - CAT DIESEL



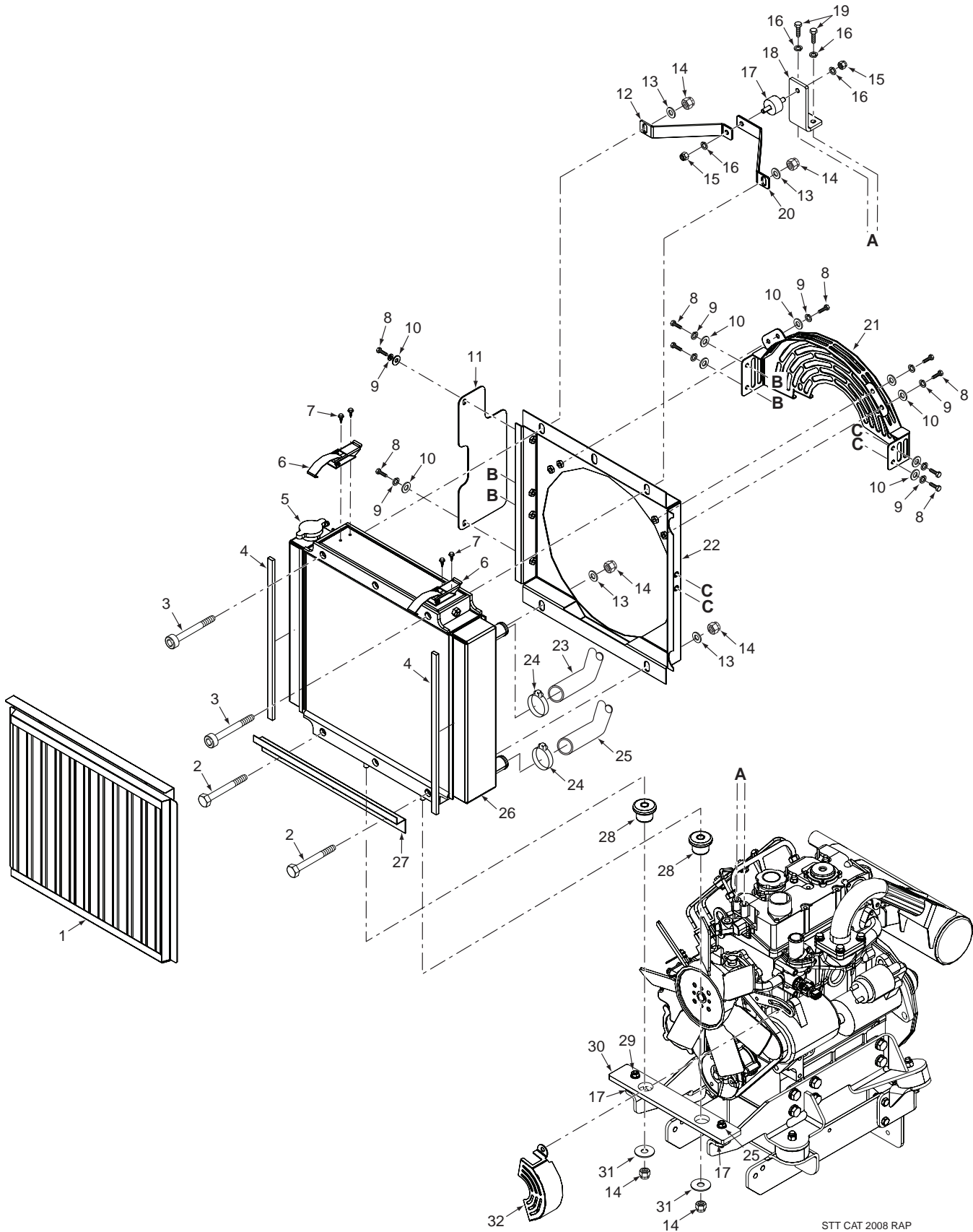
STT CAT 2008 EAP

ENGINE & ATTACHING PARTS - CAT DIESEL

Ref. No.	Part No.	Description	Ref. No.	Part No.	Description
1		** Hose, Coolant Reservoir Bottle	46	424907	Mounting Bracket Weldment RH
2		** Coolant Reservoir Bottle	47	424906	Mounting Bracket Weldment LH
3	04040-04	Flatwasher, SAE 5/16-.344 x .688 x .065	48	483351	Mount, Engine Isolation
4	04017-16	Bolt, Hex Head Serr. Flng 5/16-18 x 3/4"	49	424452	Plate, Rear Engine Mount
5		** Cap, Coolant Reservoir Bottle	50	04001-19	Bolt, Hex Head 3/8-16 x 1"
6	462116	Hood Assembly w/Decals (incl. 8, 9, 10, 11, 12, and 13)	51	04040-15	Flatwasher, 5/16" (.375 x .875 x .083)
7	04019-03	Nut, Serrated Flange 5/16-18	52	04021-22	Nut, Elastic Stop 5/16-18 Grade 8
8	04040-05	Flatwasher, 3/8-.406 x .812 x .065	53	04030-04	Lockwasher, 3/8" Spring
9	424634	Lock, Hood Latch	54	04021-09	Nut, Elastic Stop 3/8-16
10	483507	Spring, Hood Latch	55	424449	Plate, Engine Mount LH
11	424633	Latch, Hood	56	424448	Plate, Engine Mount RH
12	04009-07	Bolt, Shoulder 5/16-18 x 1/2"	57	04041-11	Flatwasher, 3/8" (.406 x 1.50 x 7 ga)
13	04001-21	Bolt, Hex Head 3/8-16 x 1-3/4"	58	04002-24	Bolt, Hex Head M12-1.25 X 25mm
14	04041-07	Flatwasher, 3/8-.391 x .938 x .105	59	04030-06	Lockwasher, 1/2" Spring
15	43740	Spacer, Hood	60	04001-19	Bolt, Hex Head 3/8-16 x 1"
16	483471	Disc, Anti Friction	61	424497	Bracket, Air Cleaner Mount
17	04019-04	Nut, Serrated Flange 3/8-16	62	04003-12	Bolt, Carriage 5/16-18 x 3/4"
18	04021-09	Nut, Elastic Stop 3/8-16	63	483485	Air Filter Assembly (Enginaire p/n 68665)
19	04041-11	Flatwasher, 3/8-.406 x 1.50 x 7 Gauge	64	483635	Rain Cap (Enginaire p/n 68381)
20	04110-01	U-Nut, 1/4"-20	65	483636	Air Filter, Inner (Enginaire p/n 68300)
21	424910	Muffler Guard	66	483637	Air Filter, Outer (Enginaire p/n 68340)
22	04017-05	Bolt, Hex Head Serrated Flange, 1/4-20 x 3/4"			
23	04001-176	Bolt, Hex Head 5/16-18 x 1-3/4" Grd 8			
24	452005	Pump Mounting Plate Weldment (Cat Engine)			
25	48136-09	Clamp, 2-1/4" Max. Dia.			
26	483713	Hose, Air Intake			
27	04002-12	Bolt, Hex Head M8-1.25 x 20			
28	04030-03	Lockwasher, 5/16" Spring			
29	483433	Elbow, 45 Degree			
30	481811	Oil Pressure Sender			
31	04002-21	Bolt, Hex Head M6-1.0 x 16			
32	04030-02	Lockwasher, 1/4" Spring			
33	483746	Throttle Cable			
34	04011-06	Screw, Self Tapping			
35	424580	Clamp			
36	424921	Mounting Bracket, Throttle Cable			
37		** Gasket, Muffler			
38	483841	Muffler, Cat Diesel			
39	43772	Stub Shaft, (Cat)			
40	04030-05	Lockwasher, 7/16" Spring			
41	04002-26	Bolt, Hex Head M10 x 1.5 x 35			
42	483360	Temperature Sensor, Engine Coolant			
43		** Engine, Cat Diesel 28HP (Available only through Cat Dealers)			
44	424924	Mount, Radiator			
45	483756	Mount, Radiator Isolation			

** Available through the individual engine manufacturer.

RADIATOR & ATTACHING PARTS - CAT DIESEL



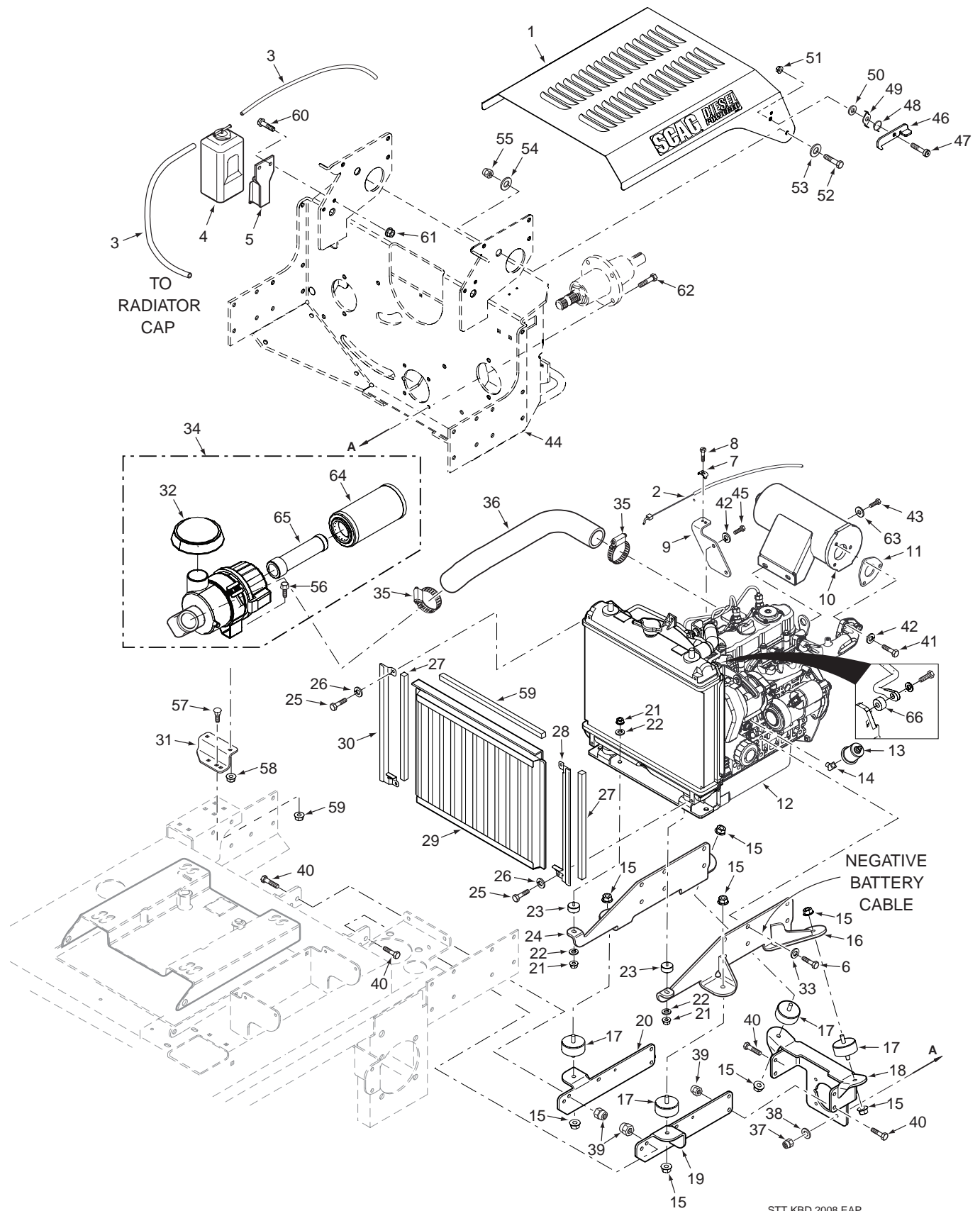
STT CAT 2008 RAP

RADIATOR & ATTACHING PARTS - CAT DIESEL

Ref. No.	Part No.	Description
1	452006	Debris Screen Weldment
2	04001-23	Bolt, Hex Head 3/8-16 x 4-1/2"
3	04015-19	Bolt, Socket Head 3/8-16 x 4-1/2"
4	483745	Foam, Seal, 1/2" x 1/4" x 14-1/2"
5		** Radiator Cap
6	481309	Latch, Hood
7	04011-11	Screw, #10-32 x .56
8	04001-06	Bolt, Hex Head 1/4-20 x .63"
9	04030-02	Lockwasher, 1/4" Spring
10	04040-14	Flatwasher, 1/4" (.312 x .750 x .065)
11	424944	Heatshield
12	424945	Bracket, Radiator Mount (RH)
13	04041-07	Flatwasher, 3/8" (.391 x .938 x .105)
14	04021-09	Nut, Elastic Stop 3/8-16
15	04020-03	Nut, 5/16-18
16	04030-03	Lockwasher, 5/16"
17	483756	Mount, Radiator Isolation
18	424947	Bracket, Radiator Mount to Engine
19	04002-03	Bolt, Hex Head M8 x 1.25 x 25
20	424946	Bracket, Radiator Mount (LH)
21	424949	Guard, Fan
22	452008	Shroud Weldment, Radiator
23	483765	Hose, Upper Radiator
24	48136-14	Clamp, Hose, 1-3/4"
25	483764	Hose, Lower Radiator
26	483750	Radiator
27	424933	Support, Debris Screen
28	483755	Mount, Radiator Isolation
29	04019-03	Nut, Hex Serrated Flange 5/16-18
30	424924	Mount, Radiator
31	04041-11	Flatwasher, 3/8" (.406 x 1.50 x 7 ga)
32	452001	Guard, Belt
	483767	Alternator Belt (not shown)
	483809	Alternator (not shown)

** Available through the individual engine manufacturer.

ENGINE & ATTACHING PARTS - KUBOTA DIESEL



ENGINE & ATTACHING PARTS - KUBOTA DIESEL

Ref. No.	Part No.	Description
1	462008	Hood Assembly (Incl. 46, 47, 48,49, 50, 51)
2	483356	Throttle Cable
3	**	Hose, Over Spill Bottle
4	**	Over Spill Bottle
5	**	Mounting Bracket, Over Spill Bottle
6	04002-10	Bolt, Metric Hex Hd. M10-1.25 x 25mm
7	424580	Clamp
8	04011-06	Screw, Self Tapping
9	424485	Bracket, Control Mount
10	483811	Muffler, Kubota
11	483387	Gasket, Muffler
12	483335	** Engine, Kubota (not avail. through Scag)
13	481811	Oil Pressure Sender
14	483433	Elbow, 45 Deg.
15	04019-04	Nut, Serr. Flng. 5/16-18
16	424450	Mounting Bracket Weldment LH
17	483351	ISO Mount
18	424452	Plate, Rear Engine Mount
19	424448	Plate, Engine Mount LH
20	424449	Plate, Engine Mount RH
21	04025-02	Nut, Metric Hex M8-1.25mm
22	04030-03	Lockwasher, 5/16" Spring
23	**	Rubber ISO Mount, Radiator
24	424451	Mounting Bracket Weldment RH
25	04106-01	Capscrew, Metric M6-1.0 x 16mm
26	04030-02	Lockwasher, 1/4" Spring
27	483512	Foam, Radiator Screen
28	424624	Debris Screen Track LH
29	462035	Debris Screen Assembly (Incl. 59)
30	424623	Debris Screen Track RH
31	424497	Bracket, Air Cleaner Mount
32	483635	Rain Cap (Enginaire p/n 68381)
33	04030-05	Lockwasher, 7/16" Spring
34	483485	Air Filter Assembly (Enginaire p/n 68665)
35	48136-09	Clamp, 2-1/4" Max. Dia.
36	483343	Hose, Air Intake
37	04021-22	Nut, Elastic Stop 5/16-18 Grd. 8
38	04030-03	Lockwasher, 5/16" Spring
39	04021-09	Nut, Elastic Stop 3/8-16
40	04001-19	Bolt, Hex Hd. 3/8-16 x 1"
41	04002-01	Bolt, Metric Hex Hd. M8-1.25 x 30mm
42	04030-03	Lockwasher, 5/16" Spring
43	04002-03	Bolt, Metric Hex Hd. M8-1.25 x 25mm
44	451861	Pump Mounting Plate Weldment (Kubota)
45	04002-12	Bolt, Metric Hex Hd. M8-1.25 x 20mm

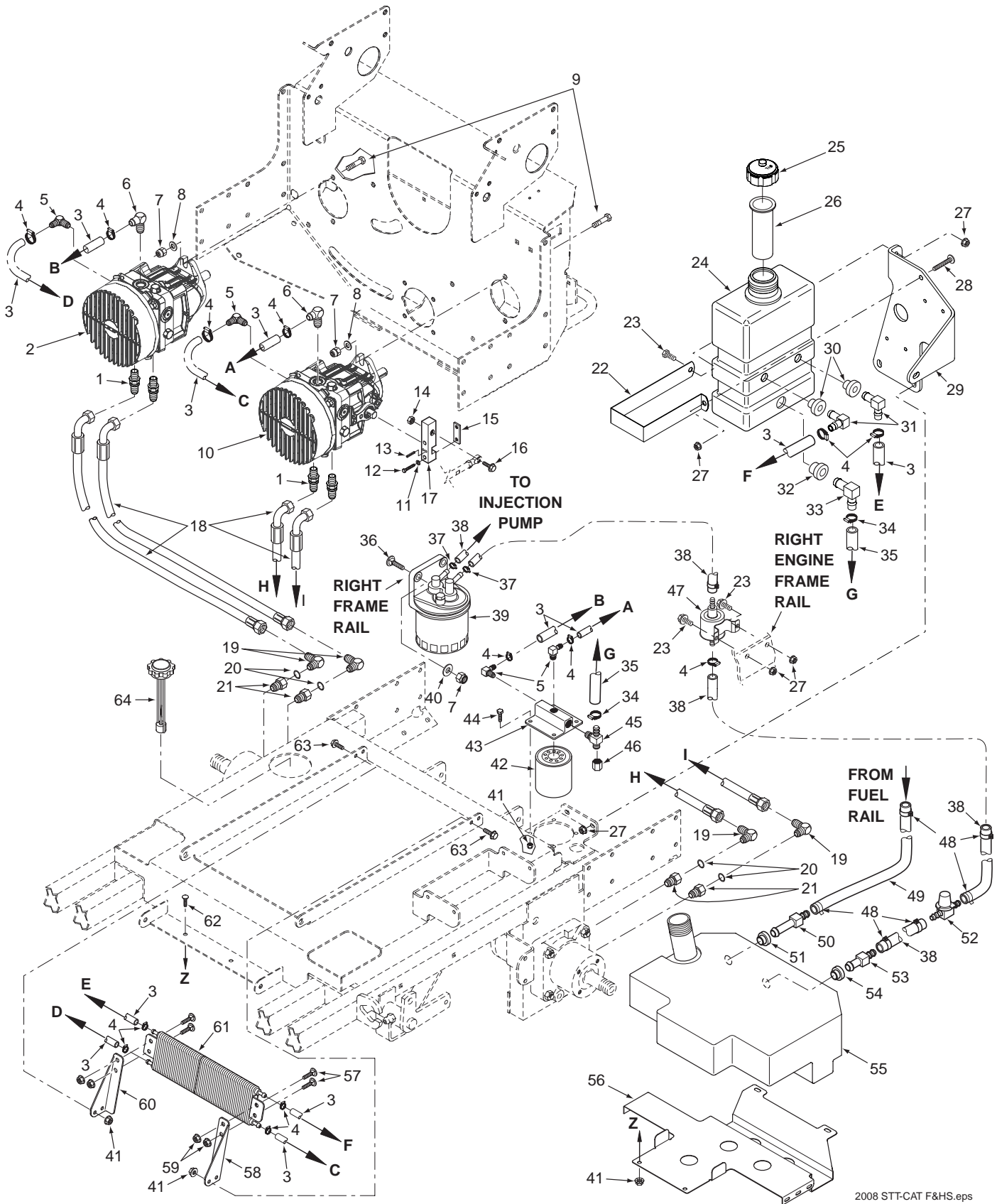
Ref. No.	Part No.	Description
46	424633	Latch, Hood
47	04009-07	Bolt, Shoulder 5/16-18 x 1/2"
48	483507	Spring, Hood Latch
49	424634	Lock, Hood Latch
50	04041-07	Flatwasher, 3/8 (.391 x .938 x .105")
51	04021-04	Nut, Center Lock 5/16-18
52	04001-21	Bolt, Hex Hd. 3/8-16 x 1-3/4"
53	04041-07	Flatwasher, 3/8 (.391 x .938 x .105")
54	04041-11	Flatwasher, 3/8 (.406 x 1.50 x 7 Ga.)
55	04021-09	Nut, Elastic Stop 3/8-16
56	04017-16	Bolt, Hex Hd. Serr. Flng. 5/16-18 x 3/4"
57	04003-12	Bolt, Carriage 5/16-18 x 3/4"
58	04019-03	Nut, Serr. Flng. 5/16-18
59	483513	Foam, Radiator Screen Upper
60	04017-16	Bolt, Hex Hd. Serr. Flng. 5/16-18 x 3/4"
61	04019-03	Nut, Serr. Flng. 5/16-18
62	04001-176	Bolt, Hex Hd. 5/16-18 x 1-3/4" Grd. 8
63	04040-04	Flatwasher, SAE 5/16 (.344 x .688 x .065")
64	483637	Air Filter, Outer (Enginaire p/n 68300)
65	483636	Air Filter, Inner (Enginaire p/n 68340)
66	43714	Spacer, Radiator

** Available through the individual engine manufacturer.

BRAKE AND STEERING COMPONENTS

Ref. No.	Part No.	Description	Ref. No.	Part No.	Description
1	482340	Grip, Handle Bar	46	48343-04	Clevis, Traction Control
2	461914	Handle Bar, LH (Includes item 1)	47	04064-02	Pin, Clevis
	461923	Handle Bar, RH (Includes item 1)	48	04062-01	Hair Pin Cotter
3	04001-09	Bolt, Hex Head 5/16-18 x 1"	49	04004-49	Rod, Parking Brake
4	04030-03	Lockwasher, 5/16"	50	48544	Rod End, LH Thread
5	483250	Rubber Spacer	51	482061	Bushing, Self Align
6	483238	Bar, Control Lever	52	04001-08	Bolt, Hex Head 5/16-18 x 3/4"
7	451483	Control Lever Weldment, LH	53	04001-192	Bolt, Hex Hd 3/8-24 x 5-1/2"
	451484	Control Lever Weldment, RH	54	481637	Switch, Parking Brake
8	04001-17	Bolt, Hex Head 5/16-18 x 2"	55	04010-12	Screw, Hex Slotted Washer Head #10 32 x 3/4"
9	04021-10	Nut, Hex Elastic Stop 5/16-18			
10	04001-45	Bolt, Hex Head 3/8-16 x 2"	56	04001-32	Bolt, Hex Head 3/8-16 x 1-1/4"
11	04021-09	Nut, Hex Elastic Stop 3/8-16	57	45953	Bellcrank, Brake Actuator
12	423488	Mount, Control Linkage	58	48807	Spring
13	48224	Ball Bearings, Neutral Return	59	04001-190	Bolt, Hex Hd 1/2-13 x 2-3/4" (upper)
14	43607	Spacer		04001-52	Bolt, Hex Hd 1/2-13 x 2-1/2" (lower)
15	04069-01	Pin, Rue Cotter 3/8 Dia.	60	04021-19	Locknut, Hex 1/2-13 Center Lock
16	04001-13	Bolt, Hex Head, 5/16-18 x 2.75 Zinc	61	04009-10	Bolt, Shoulder 1/2 x 3/8-16 x 2-3/4"
17	04021-13	Nut, Hex Elastic Stop 5/8-11	62	483677	Wheel Motor, Hydro-Gear 18E
18	461601	Bracket, Control Lever LH	63	04001-12	Bolt, Hex Head, 5/16-18 x 1.75, Zinc
	461602	Bracket, Control Lever RH	64	483701	Brake Caliper
19	04003-04	Bolt, Carriage 5/16-18 x 1"	65	424894	Mounting Bracket, Brake
20	43600	Spacer, Bearing	66	43063	Spacer
21	04003-12	Bolt, Carriage 5/16-18 x 3/4"	67	462104	Wheel Hub/Disk Brake Assembly
22	04019-03	Nut, Hex Serrated Flange 5/16-18	68	04063-25	Key, Woodruff 5/16 x 1"
23	04050-01	Ring, Retaining 5/8" External "E"	69	481850	Wheel Assembly 24 x 12-12 Turf Master
24	43602	Spacer		481851	Rim W/Valve Stem
25	45918	Bracket, Neutral Return		481852	Tire, 24 x 12-12 Turf Master
26	04003-02	Bolt, Carriage 1/4-20 x 3/4"	70	04028-02	Lug Nut, 1/2-20
27	04040-14	Flatwasher, 1/4" (.312 x .750 x .065)	71	48680	Nut, Hex Castle
28	04021-08	Nut, Hex Elastic Stop 1/4-20	72	422373	Threaded Plate
29	43477	Pin, Retaining Spring	73	04001-20	Bolt, Hex Head 3/8-16 x 1-1/2"
30	481389	Spring	74	423491	Actuator, Switch
31	04060-01	Roll Pin, Spring 5/32 x 3/4"	75	04017-16	Bolt, Hex Serrtd Flng 5/16-18 x 3/4"
32	04061-06	Pin, Cotter 9/16 x 1-1/2"	76	04001-79	Bolt, Hex Head 5/8-11 x 4-1/2"
33	482586	Rod End, Male 3/8-24 RH Thread	77	04001-32	Bolt, Hex Head 3/8-16 x 1-1/4"
34	04020-25	Nut, 3/8-24 RH Thread	78	481638	Switch, Handle Neutral
35	483680	Tube, Control Link	79	04001-168	Bolt, Hex Head 3/8-16 x 1-1/4" Grd 8
36	04020-26	Nut, Hex 3/8-24 LH Thread	80	04003-05	Bolt, Carriage 3/8-16 x 1-1/2"
37	482585	Rod End, Male 3/8-24 LH Thread	81	483269	Knob
38	04021-05	Locknut, 5/16-18, Elastic Stop	82	04021-05	Nut, Center Lock 3/8-16
39	482794	Gas Damper	83	04019-04	Nut, Serrated Flange 3/8-16
40	482330	Rod End, 3/8-24 RH Female	84	04041-07	Flatwasher, 3/8-.391 x .938 x .105
41	48114-04	Grease Fitting	85	04040-05	Flatwasher, 3/8-.406 x .812 x .065
42	461082	Lever, Parking Brake (Inc. item 43)	86	04001-21	Bolt, Hex Head, 3/8-16 x 1-3/4"
43	481548	Grip, Parking Brake			
44	04001-22	Bolt, Hex Head 3/8-16 x 2-3/4"			
45	43773	Swivel Joint			

FUEL AND HYDRAULIC SYSTEM - CAT DIESEL



2008 STT-CAT F&HS.eps

FUEL AND HYDRAULIC SYSTEM - CAT DIESEL

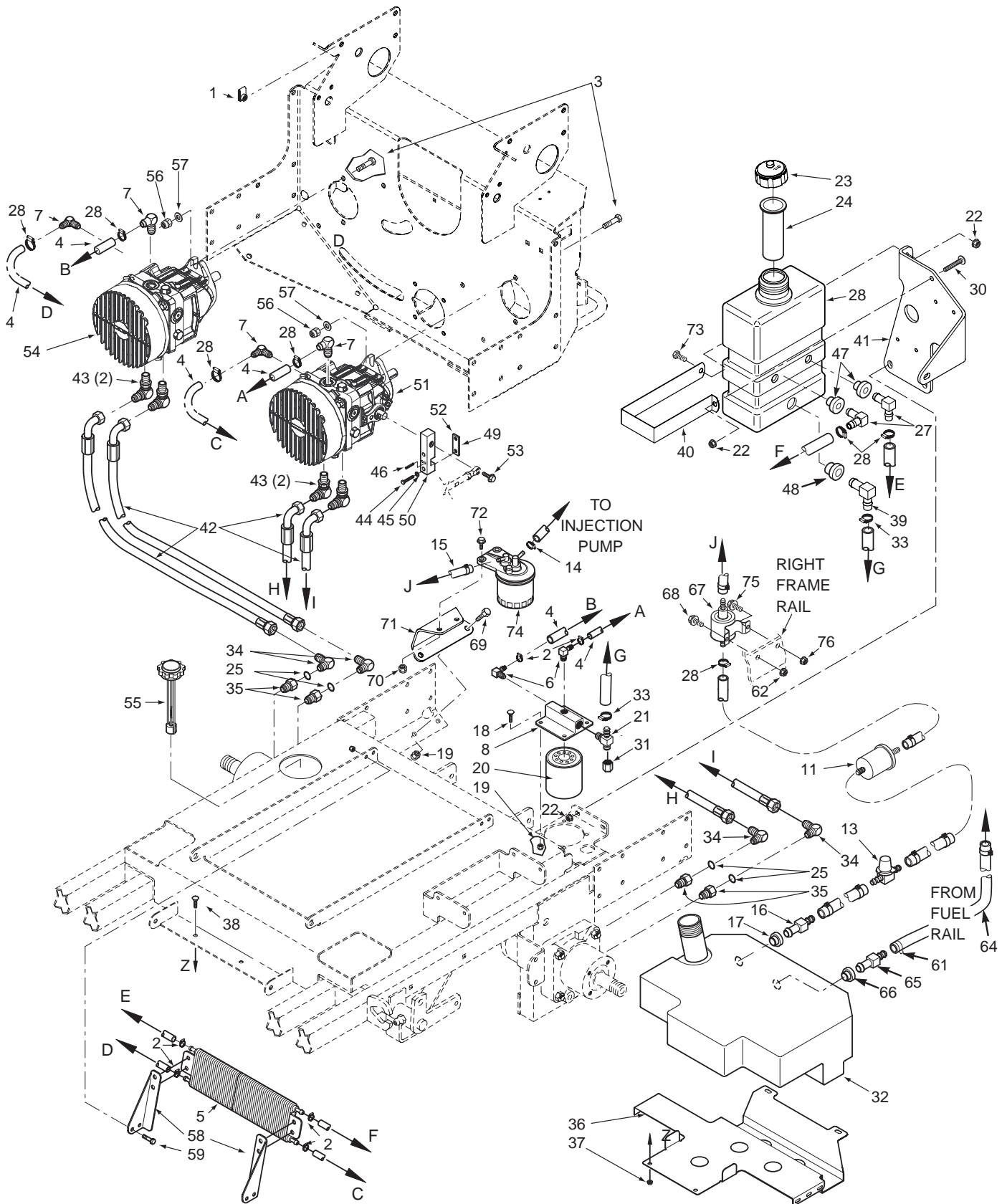
Ref. No.	Part No.	Description	Ref. No.	Part No.	Description
1	48572-06	Union, 3/4"-16 JIC x O-Ring	41	04019-03	Nut, Serrated Flange 5/16-18
2	483100	Pump, Right Hand, BDP 16A	42	48758	Oil Filter
3	48811	*** Hose, 3/8" ID Pushlock	43	482417	Oil Filter Base
4	48136-13	Hose Clamp, 0.69 dia.	44	04001-09	Bolt, Hex Head 5/16-18 x1.0" Zinc
5	482266-01	Elbow, 90 Deg - 9/16 O-Ring x 3/8" Hose	45	482477	Tee, 3/4 O-Ring x JIC x 1/2" Hose
6	482266-02	Elbow, 90 Deg - 3/4 O-Ring x 3/8" Hose	46	48571-02	Cap
7	04021-09	Nut, Hex Elastic Stop 3/8-16	47	483768	Fuel Pump, Cat
8	04043-04	Flatwasher, 3/8" (.391 x .938 x .105) Grade 8	48	48136-13	Clamp, .69 Dia.
9	04001-20	Bolt, Hex Head 3/8-16 x 1.5"	49	48058	*** Hose, 1/4" Fuel Line
10	483101	Pump, Left Hand, BDP-16A	50	481778	Hose Fitting
11	04030-02	Lockwasher, 1/4" Spring	51	482571	Bushing
12	04001-04	Bolt, Hex Head, 1/4-20 x 1-1/2"	52	481308	Valve, Fuel Shutoff
13	04060-09	Roll Pin, Spring 3/16 x 3/4"	53	483749	Fitting, Hose with Screen
14	04021-05	Nut, Center Lock 3/8-16	54	482571	Bushing
15	422694	Clamp Plate, Pump Control	55	462126	Fuel Tank Assembly (incl. items 50, 51, 53, 54)
16	04001-21	Bolt, Hex Head, 3/8-16 x 1-3/4"	56	424914	Support Bracket, Fuel Tank
17	481793	Block, Pump Control	57	04003-07	Bolt, Carraige 1/4-20 x 3/4"
18	481611	Hose Assembly, Pump	58	424884	Mounting Bracket - LH, Oil Cooler
19	48350-01	Elbow, 90 Degree, 7/8-14 THD	59	04019-02	Nut, Serrated Flange 1/4-20
20	48603-02	O-Ring	60	424885	Mounting Bracket - RH, Oil Cooler
21	48938-02	Bushing, 7/8-14 JIC x 3/4-16 O-Ring	61	482505	Oil Cooler
22	423513	Strap, Hydraulic Tank	62	04003-12	Bolt, Carraige 5/16-18 x 3/4"
23	04001-01	Bolt, Hex Head 1/4-20 x 3/4"	63	04017-16	Bolt, Hex Head 5/16-18 x 3/4"
24	461451	Oil Reservoir Assembly (includes 26, 30, 31, 32, 33)	64	482498	Cap, Fuel Tank W/Gauge
25	481164	Cap, Hydraulic Tank			
26	481507	Insert, Filler Neck			
27	04021-08	Nut, Hex Elastic Stop 1/4-20			
28	04010-10	Screw, Phillips Head, 1/4-20			
29	424942	Support Bracket, Hydraulic Tank			
30	482571	Bushing, .56 Dia. Viton			
31	482572	Elbow, 90 Degree .38 Hose			
32	482571	Bushing, .78 Dia. Viton			
33	482574	Elbow, 90 Degree			
34	48136-05	Clamp, Hose			
35	48351	*** Hose Assembly, 1/2" ID (Oil Reservoir to Filter Base)			
36	04003-22	Bolt, Carraige 3/8-16 x 1"			
37	48059-04	Clamp, Fuel Hose 5/16" ID			
38	* 483620	*** Fuel Hose, 5/16" ID. Non-Perm			
39		** Fuel Filter			
40	04041-07	Flatwasher, 3/8" (.391 x .938 x .105)			

* High Pressure Fuel Line. MUST only be replaced with the part number listed.

** Available through the individual engine manufacturer.

*** Order by the inch.

FUEL AND HYDRAULIC SYSTEM - KUBOTA DIESEL



2007 STT-BSD F&HS.eps

FUEL AND HYDRAULIC SYSTEM - KUBOTA DIESEL

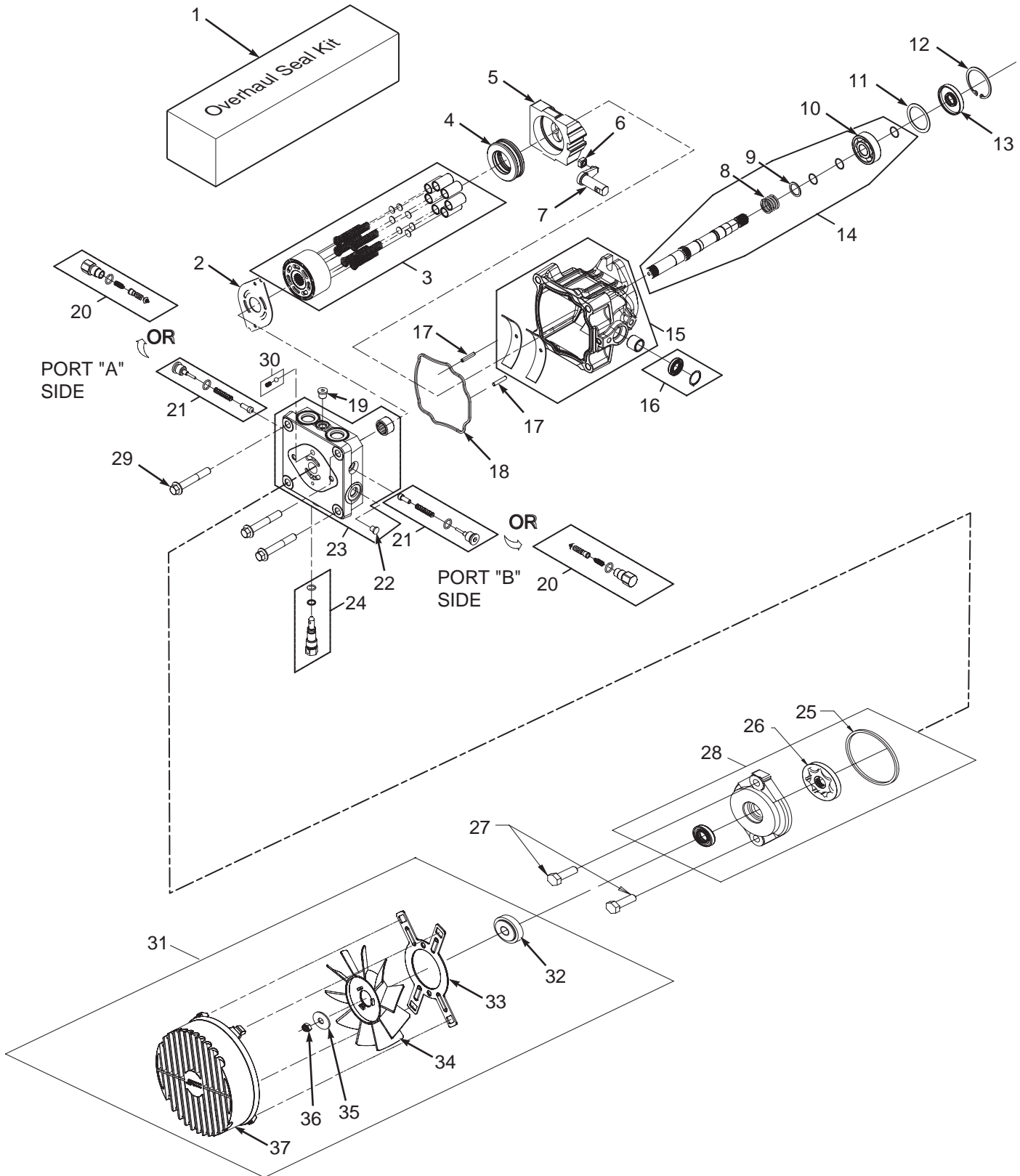
Ref. No.	Part No.	Description
1	04110-01	U-Nut 1/4-20
2	48136-13	Hose Clamp, 0.69" Dia.
3	04001-03	Bolt, Hex Hd. 1/4-20 x 2.0"
4	48811	*** Hose, 3/8" ID Pushlock
5	482505	Oil Cooler
6	481301-03	Elbow, 90 Deg. - 1/4" NPT x 3/8" Hose
7	482266-01	Elbow, 90 Deg. - 9/16" O-ring x 3/8" Hose
8	482417	Oil Filter Base
9	482606	Hose Assy, 1/2" ID (Tank to Filter Base)
10	48136-05	Clamp, .87" max Dia.
11	**	Fuel Pre-Filter, Kubota
12	483620	*** Fuel Hose, 5/16" ID. Non-Perm.
13		Valve, Shutoff
14	48059-01	Clamp, Fuel Hose
15	483620	*** Fuel Hose, 5/16" ID. Non-Perm.
16	483749	Hose Fitting
17	48309	Bushing
18	04001-09	Bolt, Hex Hd. 5/16-18 x 1.0" Zinc
19	04019-03	Nut, Serr. Flng. 5/16-18
20	48758	Oil Filter
21	482477	Tee, 3/4" O-ring x JIC x 1/2" Hose
22	04021-08	Nut, Hex Elastic Stop 1/4-20
23	481164	Cap, Hydraulic Tank
24	481507	Insert, Filler Neck
25	48603-02	O-Ring
26	461451	Oil Reservoir Assembly (Incl. 24, 27, 39)
27	482572	Elbow, 90 Deg. 0.38" Hose
	482571	Bushing, 0.56" Dia. Viton
28	48136-13	Hose Clamp, 0.69" dia.
29	48811	*** Hose, 3/8" ID, Pushlock
30	04010-10	Screw, Phillips Head, 1/4-20
31	48571-02	Cap
32	462126	Fuel Tank Assembly (Incl. items 16, 17, 65, 66)
33	48136-05	Clamp, Hose
34	48350-05	Elbow, 90 Deg., 5/8 x 1/2
35	48938-02	Bushing, 7/8"-14 JIC x 3/4"-16 O-Ring
36	424914	Support Bracket, Fuel Tank
37	04019-03	Nut, 5/16-18 Serr. Flng.
38	04003-02	Bolt, Carriage 1/4-20 x 3/4"
39	482574	Elbow, 90 Deg.
	482573	Bushing, 0.78" Dia. Viton
40	423513	Strap, Hydraulic Tank
41	424524	Support Bracket, Hydraulic Tank
42	483805	Hose Assembly, Pump
43	48572-06	Union, 5/8 x 1/2
44	04001-59	Bolt, Hex Hd., 1/4-20 x 1-14"
45	04030-02	Lockwasher, 1/4" Spring

Ref. No.	Part No.	Description
46	04060-09	Roll Pin, Spring 3/16 x 3/4"
47	04017-05	Bolt, Hex Serr. Flng., 1/4-20 x 3/4"
48	483620	*** Fuel Hose, 5/16" ID. Non-Perm.
49	422694	Clamp Plate, Pump Control
50	481793	Block, Pump Control
51	483101	Pump, Left Hand, BDP-16A
52	04021-09	Nut, Hex, Elastic Stop 3/8-16
53	04001-32	Bolt, Hex Hd., 3/8-16 x 1-1/4
54	483100	Pump, Right Hand, BDP 16A
55	482498	Cap, Fuel Tank w/Gauge
56	04021-09	Nut, Hex Elastic Stop 3/8-16
57	04043-04	Flatwasher, 3/8" (.391 x .938 x .105") Grd. 8
58	424483	Mounting Bracket - LH, Oil Cooler
	424484	Mounting Bracket - RH, Oil Cooler
59	04001-08	Bolt, Hex Hd. 5/16-18 x 3/4"
60	482505	Cooler, Oil
61	48136-13	Clamp, 0.69" Dia.
62	04019-03	Nut, Serr. Flng. 5/16-18
63	**	Adapter, 1/2" - 5/16" (p/n 59071-2141)
64	48058	*** Hose, 1/4" Fuel Line
65	482703	Fitting, Hose
66	48309	Bushing
67	**	Fuel Pump, Kubota
68	04017-16	Bolt, Hex Hd. 5/16-18 x 3/4"
69	04001-19	Bolt, Hex Hd. 3/8-16 x 1"
70	04021-09	Nut, Elastic Stop 3/8-16
71	424487	Bracket, Fuel Filter Mounting
72	04017-16	Bolt, Hex Hd. Serr. Flng. 5/16-18 x 3/4"
73	04001-01	Bolt, Hex Hd. 1/4-20 x 3/4"
74	**	Fuel Filter
75	04017-05	Bolt, Hex Hd. 1/4-20 x 3/4"
76	04019-02	Nut, Serr. Flng. 1/4-20

** Available through the individual engine manufacturer.

*** Order by the inch.

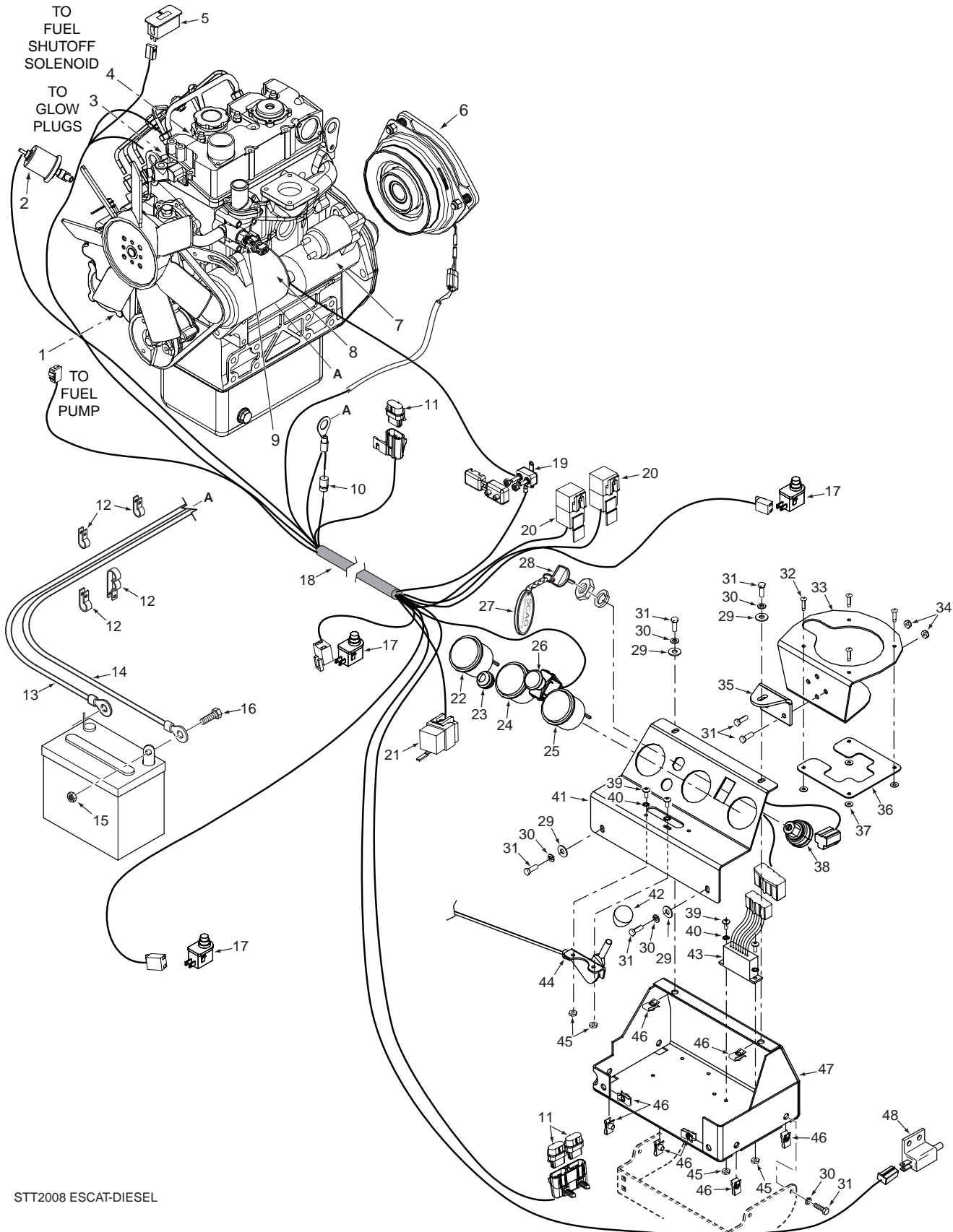
BDP-16A HYDRAULIC PUMP ASSEMBLY with Cooling Fan



BDP-16A HYDRAULIC PUMP ASSEMBLY with Cooling Fan

Ref. No.	Part No.	Description
1	HG70740	Overhaul Seal Kit
2	HG51455	Valve Plate
3	HG70735	Cylinder Block Kit - 16cc
4	HG51462	Thrust Ball Bearing Assembly
5	HG51436	Variable Swashplate
6	HG2000015	Slot Guide
7	HG2000014	Trunnion Arm
8	HG2000025	Block Spring
9	HG2000024	Block Thrust Washer
10	HG2000032	Shaft Ball Bearing
11	HG2000023	Spacer
12	HG2000038	Retaining Ring
13	HG51092	Seal
14	HG70578	Kit, Pump Shaft (keyed thru taper)
15	HG70738	Housing Kit
16	HG70739	Trunnion Seal Kit
17	HG50641	Pin
18	HG51437	O-Ring
19	HG9005110-7500	Straight Thread Plug
20	HG70743	Shock Valve Kit (.031 Orifice)
21	HG70742	Shock Valve Kit (.024 Orifice)
22	HG9005200-7500	Straight Thread Plug
23	HG70736	End Cap Kit
24	HG2513030	Bypass Valve Kit
25	HG9004100-1430	O-Ring
26	HG50406	Gerotor Assembly (.19 cu.in./rev.)
27	HG50173	Socket Head Cap Screw (M8 x 1.25-25mm)
28	HG70924	Charge Pump Kit (.19 STD. Splined)
29	HG51457	Hex Screw, Flanged Head (M10 x 1.50-65mm)
30	HG70402	Charge Relief Kit
31	HG71287	Fan Kit (incl. items 32, 34, 35, 36)
32	HG51348	Hub
33	HG52016	Bracket, Shroud
34	HG52014	Fan
35	HG52256	Washer
36	HG44809	Nut
37	HG52059	Shroud

ELECTRICAL SYSTEM - CAT DIESEL



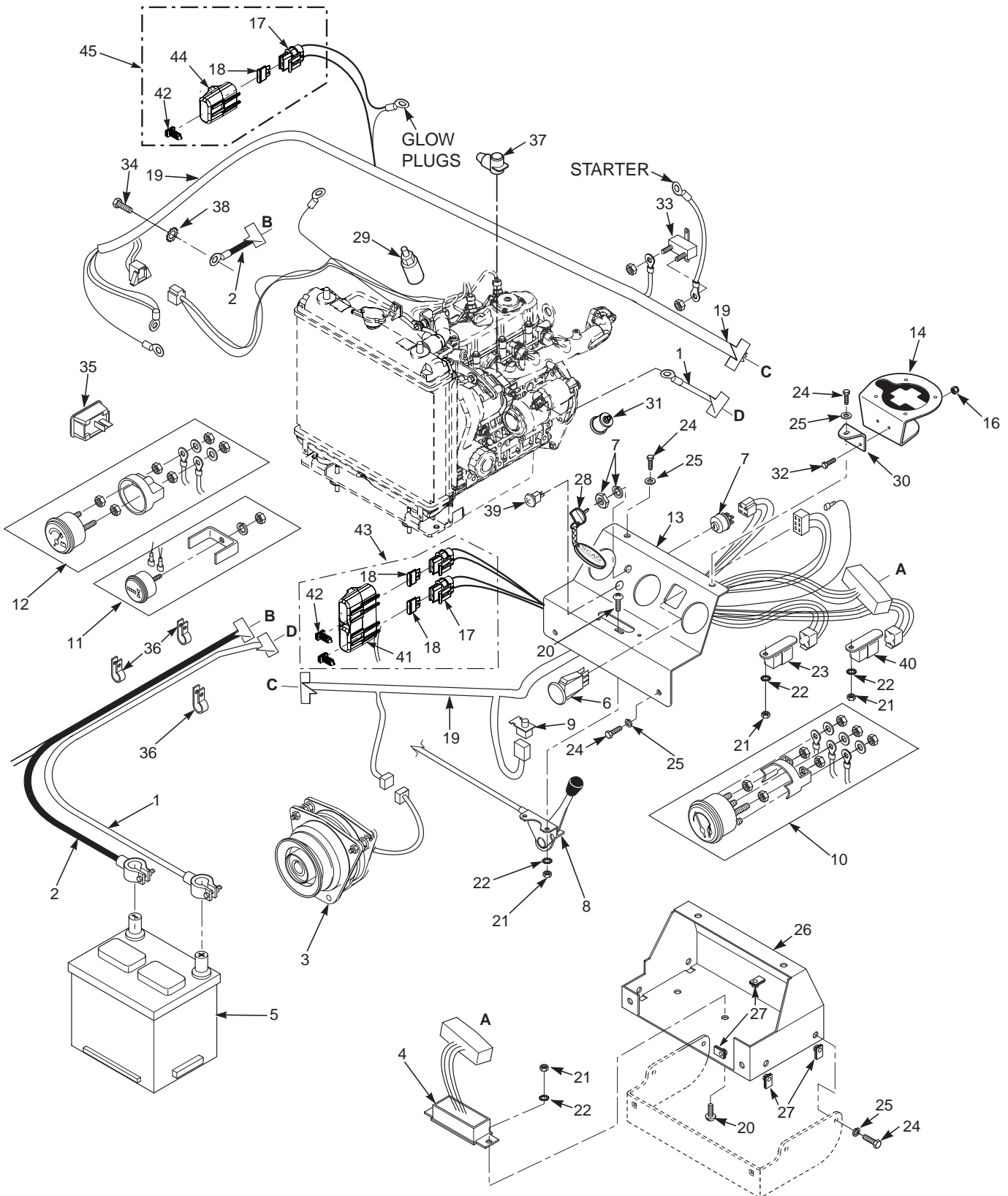
STT2008 ESCAT-DIESEL

ELECTRICAL SYSTEM - CAT DIESEL

Ref. No.	Part No.	Description
1		** Fuel Pump
2	481811	Oil Pressure Sender
3		** Glow Plugs
4		** Fuel Shutoff Solenoid
5	483537	Hourmeter
6	462011	Clutch, Ogura GT 3.5 - 1.125 Bore
7		** Starting Motor
8	483809	Alternator
	483767	Alternator Belt (not shown)
9	481670	Sending Unit, Water Temp.
10	482253	Diode
11	48298	Fuse, 20 AMP
12	48030-09	Clamp, Cable 1/2" ID.
	48030-10	Clamp, Cable 3/4" ID.
	48030-11	Clamp, Double Cable 5/8" ID.
13	481176-10	Cable, Battery - Red
14	481176-11	Cable, Battery - Black
15	04020-02	Nut, Hex 1/4-20
16	04001-44	Bolt, Hex Head 1/4-20 x .5"
		Battery, (Not Available Through Scag)
17	481638	Switch, Interlock, Normally Open
18	483759	Main Wire Harness, STT Cat
19	482784	Circuit Breaker, 50 AMP
	482785	Cover, Circuit Breaker
20	481826	Relay, 12V 40 AMP Hi Capacity
21	483013	Relay, 12V 40 AMP Standard
22	481184	Volt Meter (Includes Mounting Hardware)
23	481182	Indicator Light, Glow Plugs (Includes Mounting Hardware)
24	481805	Engine Oil Pressure Gauge (Includes Mounting Hardware)
25	481183	Water Temperature Gauge (Includes Mounting Hardware)
26	483957	Switch, PTO
27	462138	Key Assembly w/Fob
28	483771	Key, Ignition
29	04040-14	Flat Washser, 1/4"
30	04030-02	Lockwasher, 1/4"
31	04001-01	Bolt, Hex Head 1/4-20 x 3/4"
32	04090-02	Pop Rivet, 3/16" x 5/8"
33	9240	Cupholder
34	04021-08	Nut, Elastic Stop 1/4"-20
35	423674	Bracket, Cupholder Mounting
36	482544	Retainer, Cupholder
37	04041-19	Flatwasher, 0.196 ID.
38	483758	Key Switch (Includes Mounting Hardware)
39	04010-01	Screw, Phillips Washer Head #10-32 x 1/2"
40	04031-01	Lockwasher, #10 External Tooth
41	462146	Instrument Panel, Top w/Decals
42	483533	Knob, Throttle
43	481808	Electronic Control Module
44	483746	Throttle Control
45	04020-01	Nut, Hex #10-32
46	04110-01	U-Nut, 1/4-20
47	451879	Base, Instrument Panel
48	481637	Switch, Interlock, Park Brake Normally Open

** Available through the individual engine manufacturer.

ELECTRICAL SYSTEM - KUBOTA DIESEL



ELECTRICAL SYSTEM - KUBOTA DIESEL

Ref. No.	Part No.	Description
1	481176-10	Cable, Positive Battery
2	481176-11	Cable, Negative Battery
3	462011	Clutch, Electric PTO
4	481808	Module, Interlock
5	*	Battery (not available through Scag)
6	483957	Switch, PTO
7	48798	Switch, Key (Incl. Nut and Lockwasher)
	48017-03	Nut, 5/8-32 Special
	48017-04	Lockwasher 5/8"
8	483356	Cable, Control (Throttle)
9	481638	Switch, Seat
10	481183	Gauge, Water Temperature
11	481805	Gauge, Oil Pressure
12	481184	Gauge, Voltmeter
13	462013	Panel, Instrument Panel
14	9240	Cup Holder Accessory (Incl. 16, 30, 32)
15	04010-11	Screw, #10-32 x 1.5" Phillips
16	04021-01	Nut, #10-32 Elastic Stop
17	483629	Fuse Holder
18	48298	Fuse, 20 Amp
19	483825	Harness, Wiring
20	04010-01	Screw, #10-32 x .5" Phillips
21	04020-01	Nut, Hex #10-32
22	04031-01	Lockwasher #10
23	483013	Relay
24	04001-01	Bolt, Hex Hd. 1/4-20 x .75"
25	04030-02	Lockwasher 1/4"
26	451879	Base, Instrument Panel
27	04110-01	U-Nut, 1/4-20
28	462069	Key Assembly w/Fob
29	483360	Sender Unit, Water Temperature
30	423674	Cup Holder Mounting Bracket
31	481811	Sender Unit, Oil Pressure
32	04001-01	Bolt, Hex Hd. 1/4-20 x 3/4"
33	482784	50 Amp Breaker
34	04002-17	Bolt, Hex Hd. M8-1.25 x 14mm
35	483355	Hour Meter
36	48030-09	Clamp, Cable .5" ID
	48030-10	Clamp, Cable .75" ID
37	481335	Boot, Positive Battery Terminal
38	04031-03	Washer, Star
39	481182	Indicator Light, Glow Plugs
40	481826	Relay, 40 Amp
41	483571	Cover, Sealed Double
42	482588	Clip, Wire
43	483642	Double Fuse Assembly, Sealed (Incl. items 17, 18, 41, 42)
44	483643	Cover, Sealed Single
45	483641	Single Fuse Assembly, Sealed (Incl. items 17, 18, 42, 44)

REPLACEMENT DECALS AND INFORMATION PLATES

DANGER

SPINNING BLADES

KEEP CLEAR

BLADE CONTACT & THROWN OBJECTS CAN INJURE

WARNING

ROTATING BLADES AND BELTS

- Keep hands, feet & clothing clear
- Keep all guards in place
- Shut off engine & disengage blade clutch before servicing
- Use caution in directing discharge
- Read instruction manual before operating

DO NOT OPERATE UNLESS GRASS CATCHER, MULCHING KIT OR DISCHARGE CHUTE IS INSTALLED

MANUFACTURED UNDER ONE OR MORE OF THE FOLLOWING PATENTS:

4,487,006	4,885,903	4,920,733	4,967,543
4,991,382	4,998,948	5,042,239	5,117,617
5,133,176	5,826,416	5,832,708	5,865,018
6,192,666	6,766,633	6,892,519	6,996,962
7,065,946	7,197,863		

PATENTS PENDING

CAUTION

Avoid injury from burns. Shut off engine before removing fuel tank cap.

483395

DIESEL FUEL ONLY

WARNING

SERIOUS INJURY OR DEATH MAY RESULT FROM MACHINE ROLLOVER

Failure to follow these instructions could result in serious injury or death. Do not operate machine on steep slopes or near drop offs. Avoid sharp and/or quick turns. Do not exceed the machine weight rating of the ROPS. Always use seat belt. Do not Jump if machine tips. If ROPS is foldable, Always keep ROPS fully extended. **WHEN ROPS MUST BE DOWN:** Do not use the seat belt. Drive with extra care. If equipped with seat platform, Do not operate machine without seat platform pin in place.

266304500

61 VELOCITY PLUS

FORWARD **R** **REVERSE**

F **↓**

481568

Heavy-Duty Commercial

481971

WARNING

INSTALL BELT COVER BEFORE OPERATING MACHINE

READ OPERATOR'S MANUAL

WARNING

The seat **MUST** be installed under the seat hold down bracket during installation. Failure to secure the seat under the hold down bracket could result in serious injury or death in a rollover.

IMPORTANT

Operation on slopes can be hazardous. This machine was originally equipped with a Rollover Protection Device with a Roll Bar and Seat Belt. See your dealer if either is missing or damaged.

483425

OFF PREHEAT ON START

GLOW PLUGS

MOWER DECK PULL OUT TO ENGAGE PUSH IN TO DISENGAGE

483762

CUTTING HEIGHT

5 1/2

4 3/4

4

3 1/4

2 1/2

1 3/4

BOTTOM ROW OF HOLES

482565

CUTTING HEIGHT

6

5 1/4

4 1/2

3 3/4

3

2 1/4

1 1/2

TOP ROW OF HOLES

482493

START / DRIVE PROCEDURE

- Engage parking brake
- Disengage mower deck drive
- Move control handles to neutral lock position
- Start engine
- Release parking brake
- Select forward or reverse with hydro control handles

WARNING

AVOID SERIOUS INJURY OR DEATH

- Read the Operator's Manual.
- Operate only on slopes you can back up and never on slopes greater than 15 degrees.
- Solicite etiquetas en español a un distribuidor Scag.
- If machine stops going uphill, stop blades and back down slowly.
- Avoid sudden turns.
- Do not mow when children or others are around.
- Never carry children even with blades off.
- Look down and behind before and while backing.
- Keep safety devices (guards, shields, switches, etc.) in place and working.
- Remove objects that could be thrown by the blades.
- Trained operators only.

483444

SCAG POWER EQUIPMENT

SLOW FAST

483358

WARNING

Replace seat only with Scag approved seat with seat mounting provisions and Scag approved seat belts. Failure to follow these directions could result in injury or death in the event of a rollover.

SCAG POWER EQUIPMENT

THIS MOWER INCLUDES A ROLL OVER PROTECTION SYSTEM THAT MUST BE INSTALLED PRIOR TO MOWER OPERATION.

REPLACEMENT DECALS AND INFORMATION PLATES

Ref. No.	Part No.	Description	Ref. No.	Part No.	Description
1	483407	Decal, Danger-Spinning Blades	21	483405	Decal, Warning
2	483406	Decal, Warning-Rotating Blades	22	483229	Decal, Turf Tiger
3	483044	Decal, Patents	23	483727	Decal, Scag Logo
4	483395	Decal, Fuel Tank	24	48404	Decal, Metalcraft-Made In USA
5	483201	Decal, 61" Velocity Plus	25	483509	Decal, Scag Diesel Powered
	483693	Decal, 72" Velocity Plus	26	481664	Decal, Stripes-RH
6	481568	Decal, Traction Control	27	481663	Decal, Stripes-LH
7	483300	Decal, ROPS Warning	**	461982	Spanish Decal Kit, STT
8	481971	Decal, Heavy Duty Commercial			
9	483402	Decal, Belt Cover			
10	483429	Decal, Warning Seat Hold Down			
11	483425	Decal, ROPS			
12	483762	Decal, Instrument Panel - Upper (CAT)			
	482360	Decal, Instrument Panel - Upper (Kubota)			
13	483358	Decal, Instrument Panel - Lower (CAT)			
	483358	Decal, Instrument Panel - Lower (Kubota)			
14	483633	Decal, Seat Replacement			
15	483158	Decal, ROPS			
16	482565	Decal, Cutting Height - Lower			
17	482493	Decal, Cutting Height - Upper			
18	483444	Decal, Start/Drive Procedure			
19	483154	Decal, Checks and Adjustments			
20	482577	Decal, Turf Tiger			

IMPORTANT ADJUSTMENT PROCEDURES
 READ OPERATOR'S MANUAL FOR MORE DETAILS
 Check tire pressure - (Drive tires-12 psi, Caster tires-25 psi)

HYDRAULIC FLUID LEVEL
 Check hydraulic fluid level while fluid is cool. Fluid level should be 3" below top of filler neck. FILL with SAE 20W50 motor oil only.

IMPORTANT
 Do not overfill. Room for hot fluid expansion must be allowed or resulting expansion may cause leaks in the system.

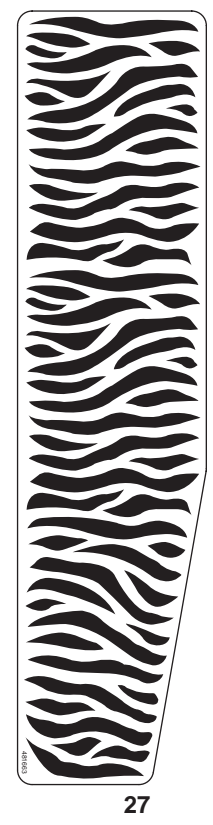
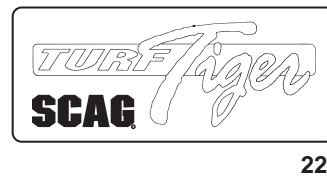
NEUTRAL ADJUSTMENT
 Loosen jam nuts
 Rotate turnbuckle
 With an operator in the seat, engine running, control levers in neutral and the parking brake disengaged - adjust control linkage. Loosen jam nuts. If wheel rotates forward, adjust turnbuckle CCW. If wheel rotates rearward, adjust turnbuckle CW. Adjust until drive wheel stops turning. Tighten jam nuts. Repeat for opposite side.

TRACKING ADJUSTMENT
 If the machine pulls to the right, adjust LH control linkage CCW to slow left wheel. If the machine pulls to the left, adjust RH control linkage CCW to slow right wheel. Readjust neutral if necessary.

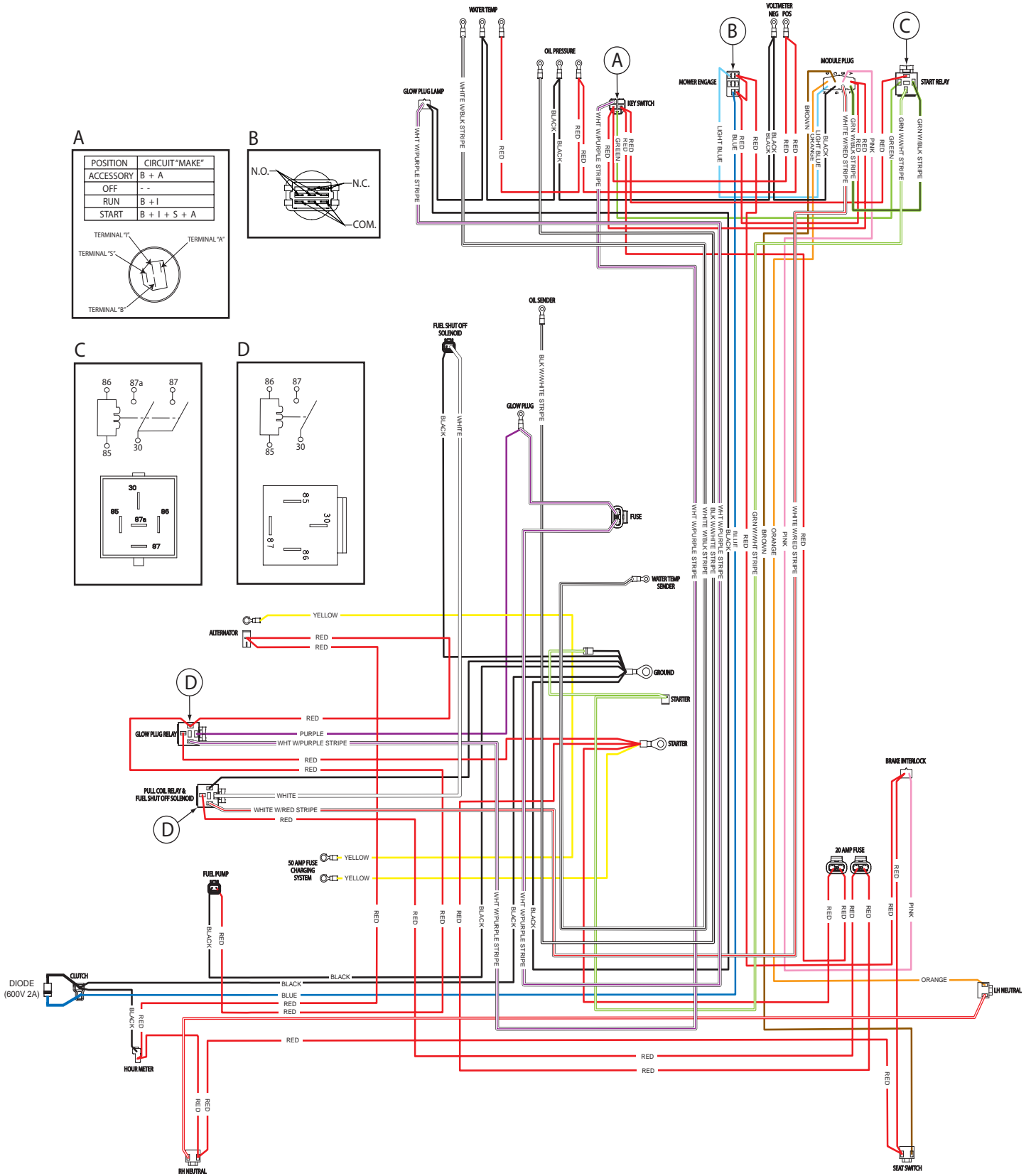
FREE WHEEL OPERATION
 To move machine without running the engine, rotate both dump valves located at the LH side of the pumps CCW 1/2 turn to "freewheel" positions. Return dump valves to original position to operate the mower. Tighten to 7-10 Ft-Lbs.

IMPORTANT
DRIVESHAFT MAINTAINANCE
 Grease yokes 3-4 pumps Every 200 hours
 Grease spline 8-10 pumps Every 50 hours

483154



ELECTRICAL SCHEMATIC - CAT DIESEL



ELECTRICAL SCHEMATIC - KUBOTA DIESEL

